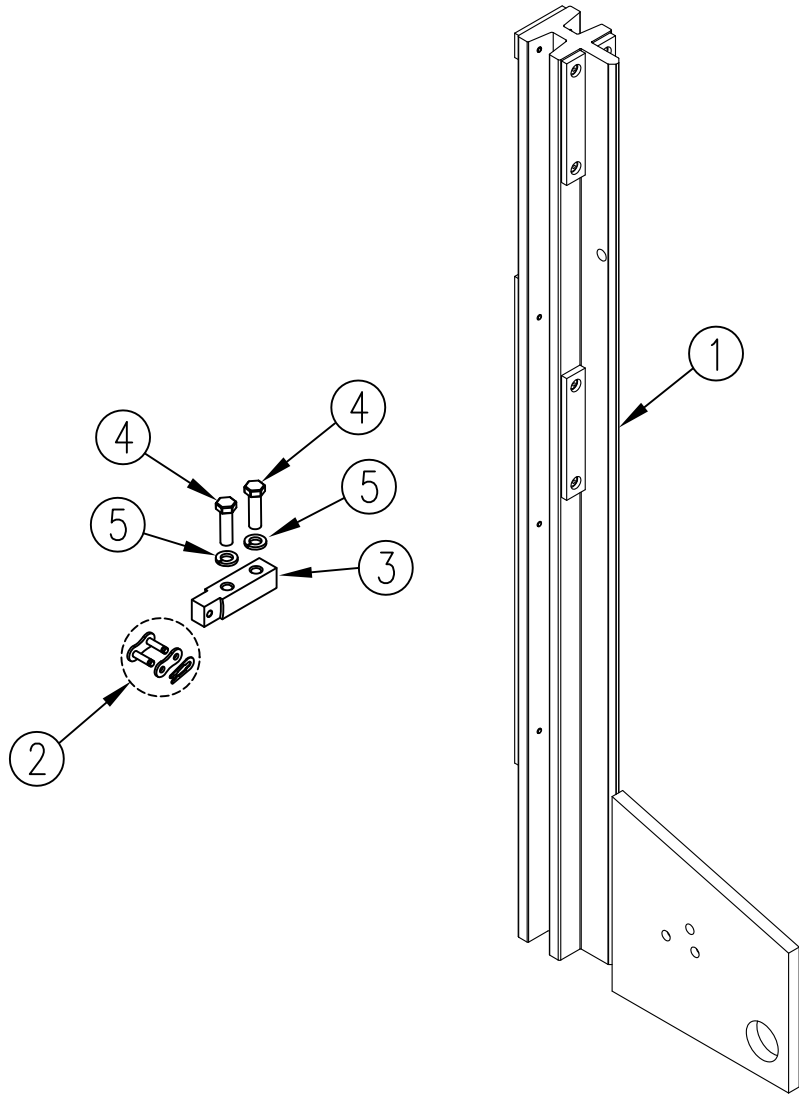


ITEM NO.	QTY.	PART NO.	DESCRIPTION
1	1	011045	36" COMPLETE SLIDER 4900-L/R(AB)STEEL RF
2	1	007661	50 SERIES CONNECTING LINK
3	1	007656	3/4"SQ.x3.03" CHAIN HOLDER
4	2	000510	3/8-16x1-1/4" HHCS GR5
5	2	000572	3/8" SPRING LOCK WASHER



THIRD ANGLE PROJECTION		
DECIMAL	2PLC	3PLC
MACHINE SAW, DRILL	.030	.015
SHEAR, PUNCH FORM	.060	.030
TORCH, WELDING ROUGH CAST	.090	.060
DRAFT 2'	ANGULAR ±1'	

FILENAME:	NOTES:			
SYMBOLY PER ANSI Y14.5				
DRAWN BY: JAR				
DRAWN/DATE 3/2/12				
APPVD/DATE	TITLE 36"REPL. SLIDER 4900 w/PADS L/R (AB) STEEL R-FOLD			
SALES CATEGORY	PRODUCT LINE	SCALE 1:6	FIN. WT.	PART NO. 11872

WOODBINE MFG. CO.
 BUS BROWN DRIVE
 WOODBINE, IOWA 51579
 712-647-2050

The original
TOMMY GATE
 hydraulic lift

THE INFORMATION HERE IS CONFIDENTIAL AND MUST NOT BE USED IN ANYWAY DETRIMENTAL TO THE INTEREST OF WOODBINE MFG.

REV.	DATE	CHANGE RECORD	BY	APPVD	ECN
A	3/2/12	RELEASE TO PRODUCTION	JAR		603