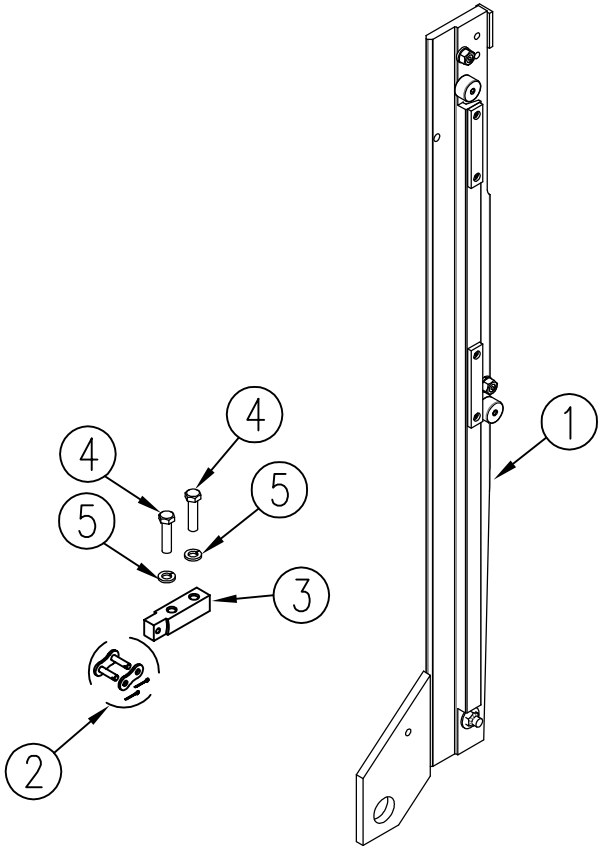


ITEM NO.	QTY.	PART NO.	DESCRIPTION
1	1	013462	47" COMPLETE RAIL SC SLIDER L (AB)TX
2	1	007661	50 SERIES CONNECTING LINK
3	1	007656	3/4"SQ.x3.03" CHAIN HOLDER
4	2	000535	3/8-16x1-1/2" HHCS GR5
5	2	000572	3/8" SPRING LOCK WASHER



						THIRD ANGLE PROJECTION	FILENAME:	WOODBINE MFG. CO. BUS BROWN DRIVE WOODBINE, IOWA 51579				
							SYMBOLY PER ANSI Y14.5	NOTES:				
						DECIMAL 2PLC 3PLC	DRAWN BY.					
						MACHINE SAW, DRILL .030 .015	GDB	712-647-2050				
						SHEAR, PUNCH FORM .060 .030	DRAWN/DATE					
						TORCH, WELDING ROUGH CAST .090 .060	2/19/14	THE INFORMATION HERE IS CONFIDENTIAL AND MUST NOT BE USED IN ANYWAY DETRIMENTAL TO THE INTEREST OF WOODBINE MFG.				
A	2/19/14	RELEASED TO PRODUCTION	GDB	1044			APPVD/DATE	TITLE				
REV.	DATE	CHANGE RECORD	BY	APPVD	ECN	DRAFT 2"	47" REPLACEMENT SELF CLOSE SLIDER w/ROLLERS-LEFT(TX)	SALES CATEGORY	PRODUCT LINE	SCALE N	FIN. WT.	PART NO. 013111