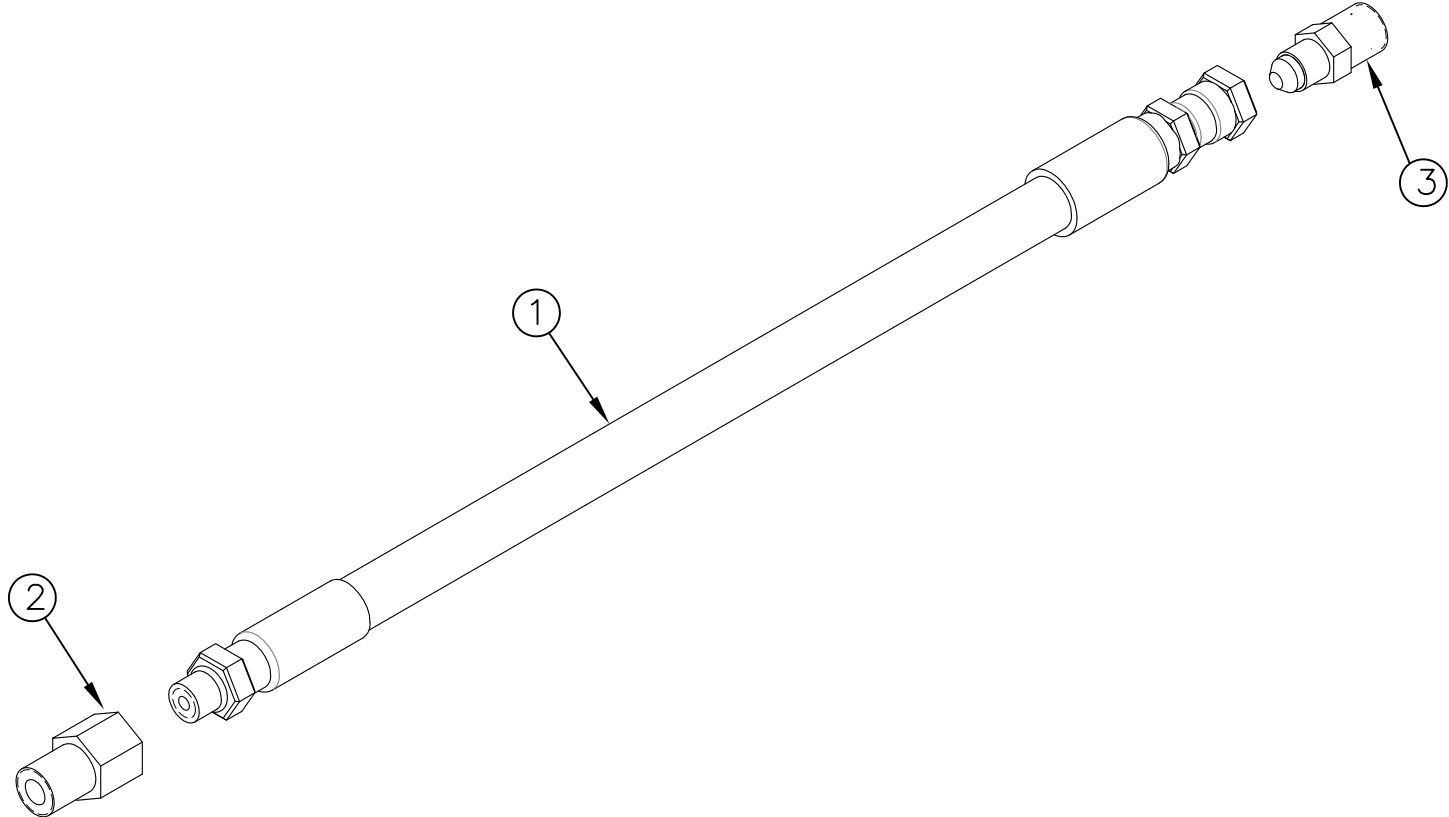


ITEM NO.	QTY.	PART NO.	DESCRIPTION
1	1	013220	1/4"x15" HYD HOSE(73 RAIL)
2	1	012956	#4 FORB TO #4 MALE NPT ADAPTOR
3	1	012957	#4 MJIC TO #4 MALE NPT ADAPTOR



						THIRD ANGLE PROJECTION 	FILENAME:	WOODBINE MFG. CO. BUS BROWN DRIVE WOODBINE, IOWA 51579
						DECIMAL MACHINE SAW, DRILL	SYMBOLY PER ANSI Y14.5	NOTES:
						2PLC .030	DRAWN BY. GDB	712-647-2050
B	11/12/13	ADDED (1) 012956 AND (1) 012957	GDB	1004		3PLC .015	DRAWN/DATE 2/22/13	THE INFORMATION HERE IS CONFIDENTIAL AND MUST NOT BE USED IN ANYWAY DETRIMENTAL TO THE INTEREST OF WOODBINE MFG.
A	2/22/13	RELEASED TO PRODUCTION	GDB	848		SHEAR, PUNCH FORM .060 .030	APPVD/DATE	
						TORCH, WELDING ROUGH CAST .090 .060	TITLE REPLACEMENT 1/4"x15" HYDRAULIC HOSE	
REV.	DATE	CHANGE RECORD	BY	APPVD	ECN	DRAFT 2'	SALES CATEGORY	PRODUCT LINE
						ANGULAR ±1'	SCALE N	FIN. WT.
							PART NO. 012610	