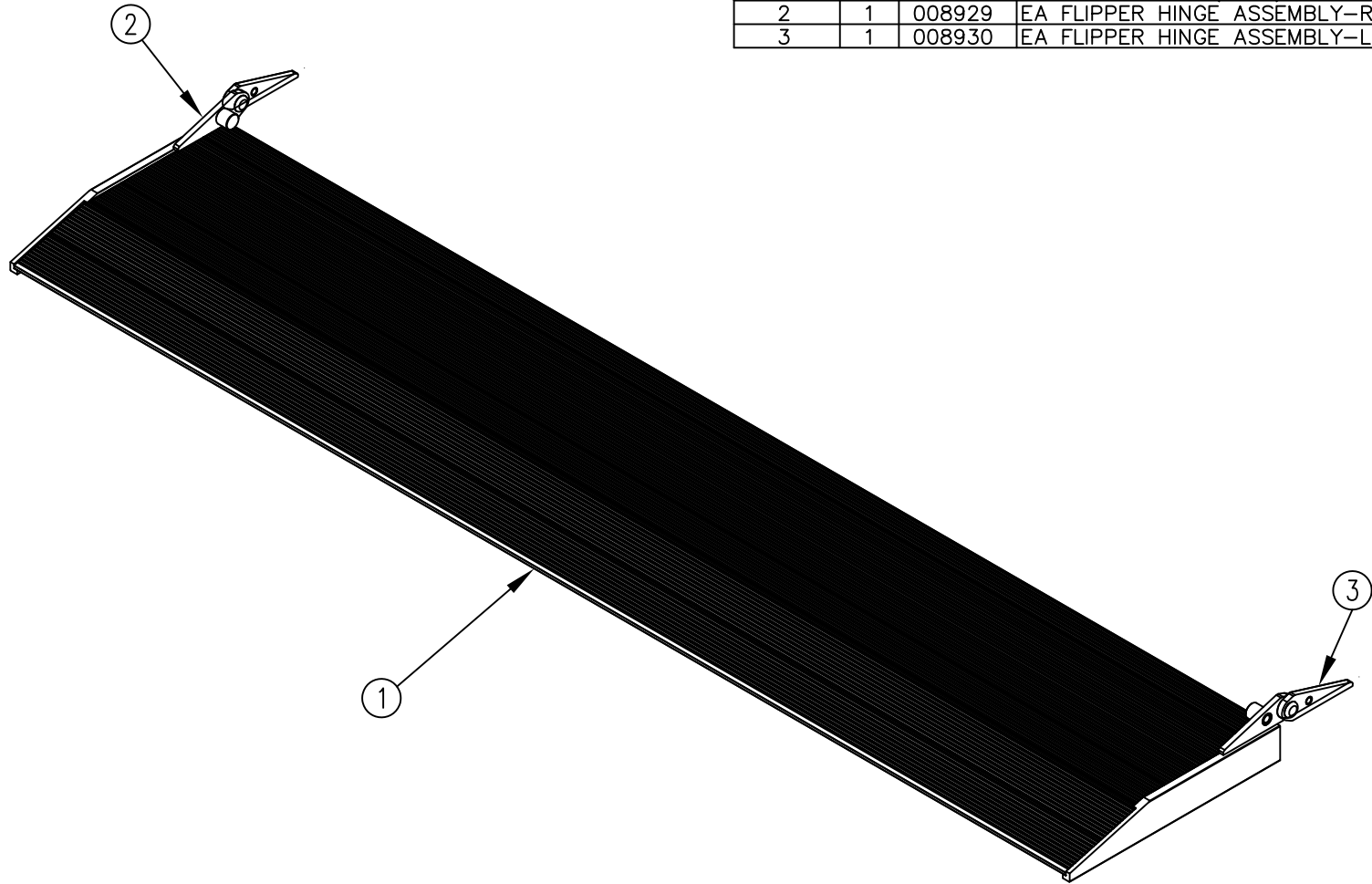


ITEM NO.	QTY.	PART NO.	DESCRIPTION
1	1	003299	EA FLIPPER ONLY(87LP)17"
2	1	008929	EA FLIPPER HINGE ASSEMBLY--RIGHT
3	1	008930	EA FLIPPER HINGE ASSEMBLY--LEFT



						THIRD ANGLE PROJECTION	DRAWN BY AAS	NOTES:	WOODBINE MFG. CO. BUS BROWN DRIVE WOODBINE, IOWA 51579	
						UNLESS OTHERWISE SPECIFIED	DRAWN/DATE 10/24/24			
						DIMENSIONS ARE IN INCHES	APPVD/DATE -			
						TOLERANCES: FRACTIONAL $\pm 1/16$ ANGULAR MACH $\pm 1'$ BEND $\pm 1'$ TWO PLACE DECIMAL $\pm 0.030$ THREE PLACE DECIMAL $\pm 0.010$	DO NOT SCALE DRAWING			
A	10/24/24	RELEASED TO PRODUCTION	AAS	3068			TITLE REPLACEMENT 87 LOW PRO EA FLIPPER			
REV.	DATE	CHANGE RECORD	BY	APPVD	ECN	THE INFORMATION HERE IS CONFIDENTIAL AND MUST NOT BE USED IN ANY WAY DETRIMENTAL TO THE INTEREST OF WOODBINE MFG.		SCALE 1:10	WEIGHT -	PART NO. 18425