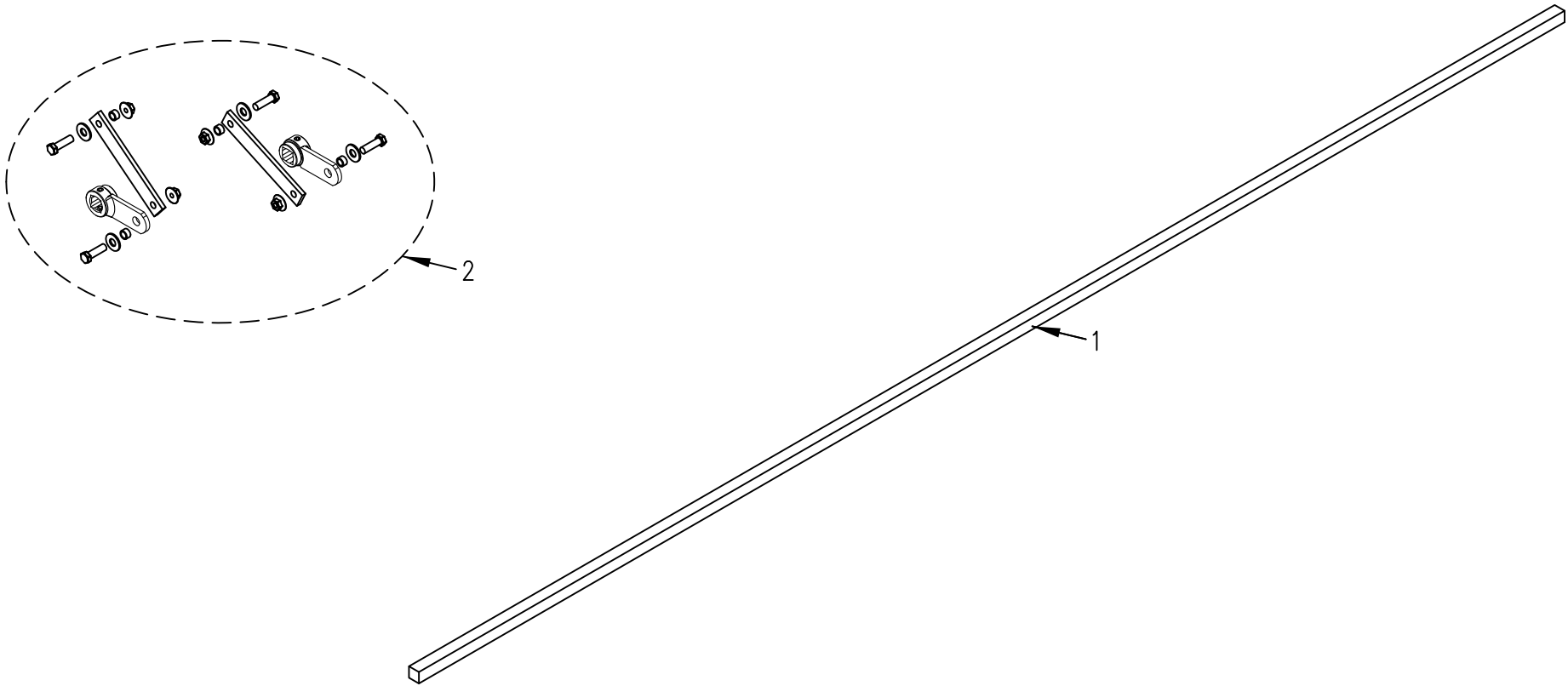


ITEM NO.	QTY.	PART NO.	DESCRIPTION
1	1	002011	3/4"SQ.X80.63" HRM BAR(SC)
2	1	008058	SELF CLOSE LINKAGE(COMPLETE)
3	1	095150	RAIL SC ARM AND LINKAGE ROD INSTRUCTIONS (16/20)



				THIRD ANGLE PROJECTION			FILENAME:		NOTES:		WOODBINE MFG. CO. BUS BROWN DRIVE WOODBINE, IOWA 51579				
							SYMBOLY PER ANSI Y14.5								
				DECIMAL	2PLC	3PLC	DRAWN BY.								
D	1/23/17	ADDED (1) 95150	AAS	1783	MACHINE SAW, DRILL	.030	.015	DJR					<small>THE INFORMATION HERE IS CONFIDENTIAL AND MUST NOT BE USED IN ANYWAY DETRIMENTAL TO THE INTEREST OF WOODBINE MFG.</small>		
C	12/4/12	REPLACED (2 EA) 1910, 1936, (4 EA) 1906, 510, 553, 575 WITH (1) 8058	GDB	792	SHEAR, PUNCH FORM	.060	.030	DRAWN/DATE 7/29/03							
B	5/2/12	REMOVED (4) 007711	GDB	649	TORCH, WELDING ROUGH CAST	.090	.060	APPVD/DATE							
REV.	DATE	CHANGE RECORD	BY	APPVD	ECN	DRAFT 2'	ANGULAR ±1'	SALES CATEGORY		PRODUCT LINE	SCALE N	FIN. WT.			PART NO. 8061