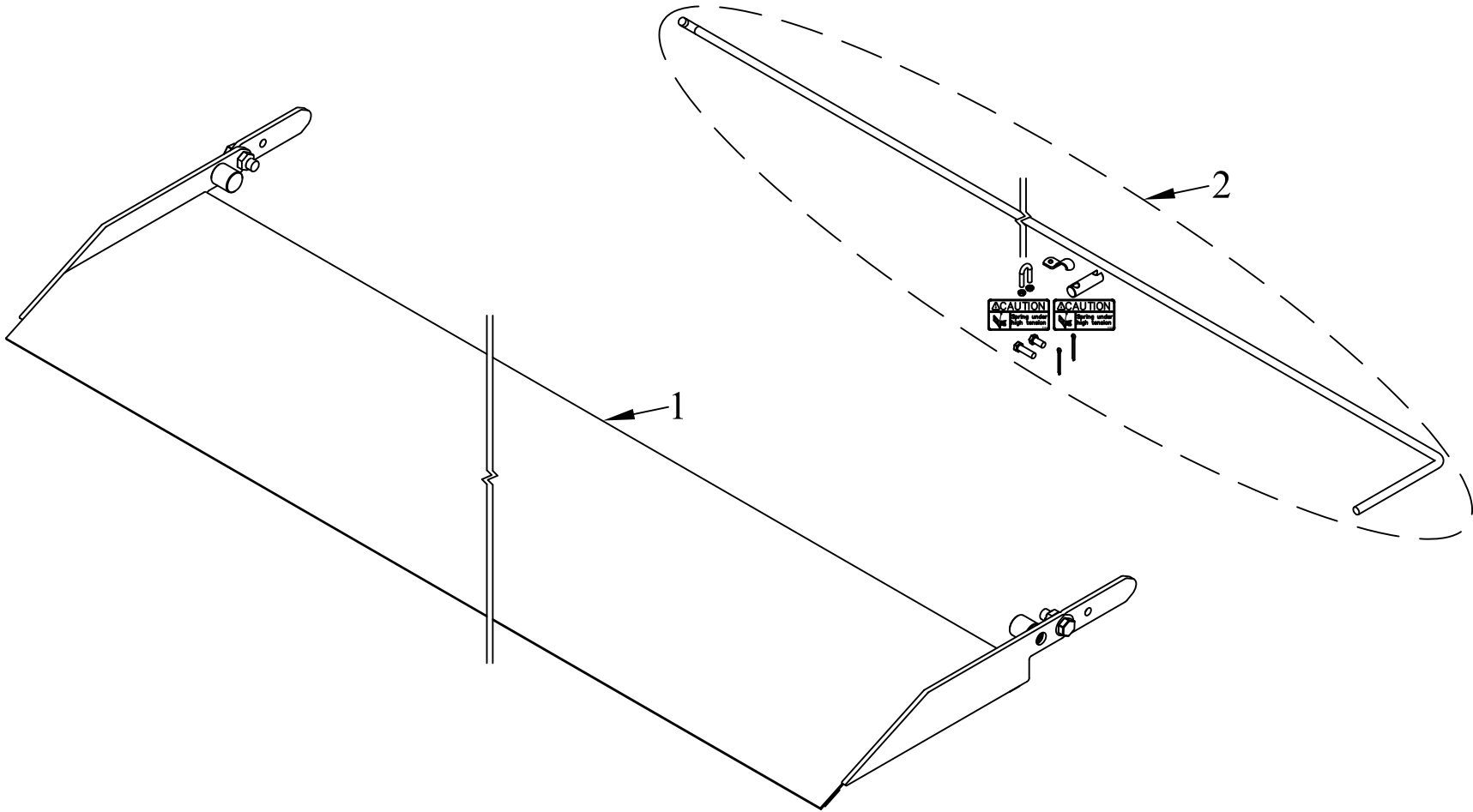


ITEM NO.	QTY.	PART NO.	DESCRIPTION
1	1	3524	MINI-F7 STEEL TREADPLATE FLIPPER
2	1	3688	TORSION SPRING w/HARDWARE(MINI&48)



REV.	DATE	CHANGE RECORD	BY	APPVD	ECN	THIRD ANGLE PROJECTION	FILENAME:	SYMBOLY PER ANSI Y14.5	NOTES:	WOODBINE MFG. CO. BUS BROWN DRIVE WOODBINE, IOWA 51579 712-647-2050																		
						<table border="1"> <tr> <th>DECIMAL</th> <th>2PLC</th> <th>3PLC</th> </tr> <tr> <td>MACHINE SAW, DRILL</td> <td>.030</td> <td>.015</td> </tr> <tr> <td>SHEAR, PUNCH FORM</td> <td>.060</td> <td>.030</td> </tr> <tr> <td>TORCH, WELDING ROUGH CAST</td> <td>.090</td> <td>.060</td> </tr> </table>	DECIMAL	2PLC	3PLC		MACHINE SAW, DRILL	.030	.015	SHEAR, PUNCH FORM	.060	.030	TORCH, WELDING ROUGH CAST	.090	.060	<table border="1"> <tr> <th>DRAWN BY.</th> <th>DRAWN/DATE</th> <th>APPVD/DATE</th> </tr> <tr> <td>DJR</td> <td>6/23/04</td> <td></td> </tr> </table>	DRAWN BY.	DRAWN/DATE	APPVD/DATE	DJR	6/23/04			<p>THE INFORMATION HERE IS CONFIDENTIAL AND MUST NOT BE USED IN ANYWAY DETRIMENTAL TO THE INTEREST OF WOODBINE MFG.</p>
DECIMAL	2PLC	3PLC																										
MACHINE SAW, DRILL	.030	.015																										
SHEAR, PUNCH FORM	.060	.030																										
TORCH, WELDING ROUGH CAST	.090	.060																										
DRAWN BY.	DRAWN/DATE	APPVD/DATE																										
DJR	6/23/04																											
						<table border="1"> <tr> <th>DRAFT</th> <th>ANGULAR</th> <th>SALES CATEGORY</th> <th>PRODUCT LINE</th> <th>SCALE</th> <th>FIN. WT.</th> <th>PART NO.</th> </tr> <tr> <td>2'</td> <td>±1'</td> <td>45</td> <td>8001</td> <td>N</td> <td></td> <td>1792</td> </tr> </table>	DRAFT	ANGULAR	SALES CATEGORY	PRODUCT LINE	SCALE	FIN. WT.	PART NO.	2'	±1'	45	8001	N		1792								
DRAFT	ANGULAR	SALES CATEGORY	PRODUCT LINE	SCALE	FIN. WT.	PART NO.																						
2'	±1'	45	8001	N		1792																						