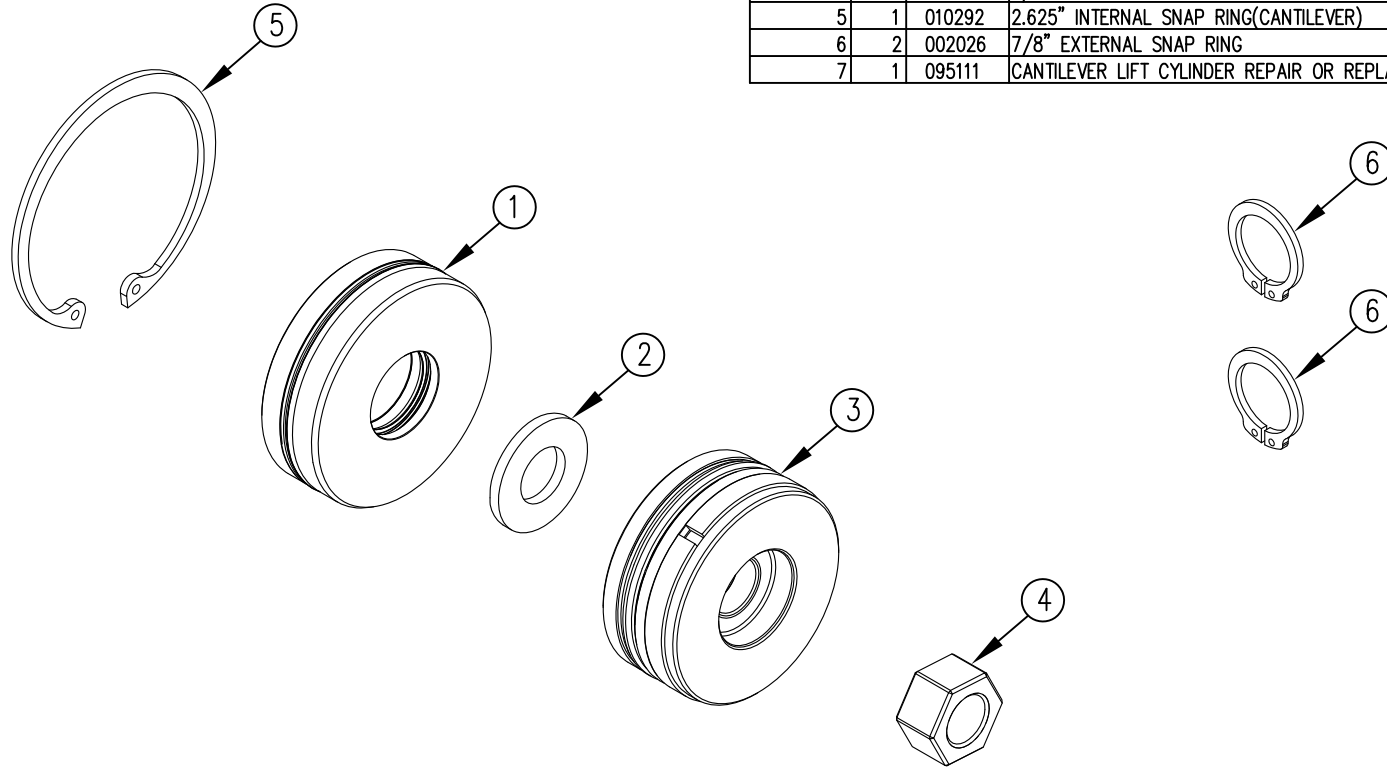



ITEM NO.	QTY.	PART NO.	DESCRIPTION
1	1	010300	GUIDE BUSHING W/ O-RINGS(CANTILEVER)
2	1	000577	5/8" SAE FLATWASHER
3	1	010301	LIFT CYLINDER PISTON W/ O-RINGS(CANTILEVER)
4	1	000552	5/8-18 SAE HEX FIN NUT
5	1	010292	2.625" INTERNAL SNAP RING(CANTILEVER)
6	2	002026	7/8" EXTERNAL SNAP RING
7	1	095111	CANTILEVER LIFT CYLINDER REPAIR OR REPLACEMENT INSTRUCTIONS



REV.	DATE	CHANGE RECORD	BY	APPVD	ECN	THIRD ANGLE PROJECTION	FILENAME:	SYMBOLGY PER ANSI Y14.5	NOTES:	WOODBINE MFG. CO. BUS BROWN DRIVE WOODBINE, IOWA 51579																															
B	1/16/15	ADDED 95111	JCB		1300	<table border="1"> <tr> <td>DECIMAL</td> <td>2PLC</td> <td>3PLC</td> </tr> <tr> <td>MACHINE SAW,DRILL</td> <td>.030</td> <td>.015</td> </tr> <tr> <td>SHEAR, PUNCH FORM</td> <td>.060</td> <td>.030</td> </tr> <tr> <td>TORCH, WELDING ROUGH CAST</td> <td>.090</td> <td>.060</td> </tr> <tr> <td>DRAFT 2°</td> <td>ANGULAR ±1°</td> <td></td> </tr> </table>	DECIMAL	2PLC	3PLC	MACHINE SAW,DRILL	.030	.015	SHEAR, PUNCH FORM	.060	.030	TORCH, WELDING ROUGH CAST	.090	.060	DRAFT 2°	ANGULAR ±1°		<table border="1"> <tr> <td>DRAWN BY.</td> <td>JCB</td> </tr> <tr> <td>DRAWN/DATE</td> <td>8/5/11</td> </tr> <tr> <td>APPVD/DATE</td> <td></td> </tr> <tr> <td>TITLE</td> <td>LIFT CYLINDER SEAL REPAIR KIT (CANTILEVER)</td> </tr> <tr> <td>SALES CATEGORY</td> <td>PRODUCT LINE</td> <td>SCALE</td> <td>FIN. WT.</td> <td>PART NO.</td> </tr> <tr> <td></td> <td></td> <td>1:2</td> <td></td> <td>11450</td> </tr> </table>	DRAWN BY.	JCB	DRAWN/DATE	8/5/11	APPVD/DATE		TITLE	LIFT CYLINDER SEAL REPAIR KIT (CANTILEVER)	SALES CATEGORY	PRODUCT LINE	SCALE	FIN. WT.	PART NO.			1:2		11450	<p>712-647-2050</p>  <p>THE INFORMATION HERE IS CONFIDENTIAL AND MUST NOT BE USED IN ANYWAY DETRIMENTAL TO THE INTEREST OF WOODBINE MFG.</p>
DECIMAL	2PLC	3PLC																																							
MACHINE SAW,DRILL	.030	.015																																							
SHEAR, PUNCH FORM	.060	.030																																							
TORCH, WELDING ROUGH CAST	.090	.060																																							
DRAFT 2°	ANGULAR ±1°																																								
DRAWN BY.	JCB																																								
DRAWN/DATE	8/5/11																																								
APPVD/DATE																																									
TITLE	LIFT CYLINDER SEAL REPAIR KIT (CANTILEVER)																																								
SALES CATEGORY	PRODUCT LINE	SCALE	FIN. WT.	PART NO.																																					
		1:2		11450																																					
A	8/5/11	RELEASED TO PRODUCTION	JCB		450																																				