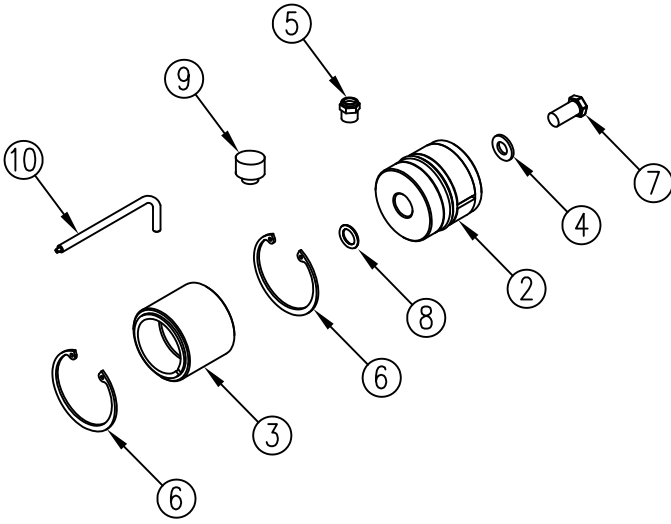
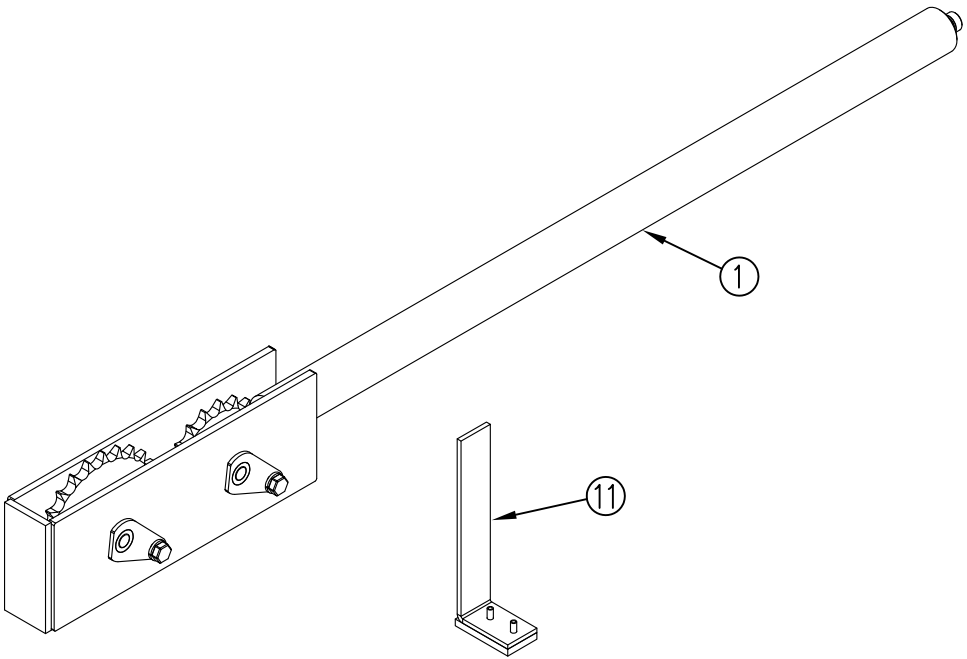


ITEM NO.	QTY.	PART NO.	DESCRIPTION
1	1	003240	1.5"DIA.x29.5" CYLINDER SHAFT w/SPROCKETS (73 RAIL)
2	1	007444	1.980" PISTON W/ U-CUP & WEAR RING(RAIL)
3	1	007446	RAIL GUIDE BUSHING W/ WEAR RING & WIPER
4	1	000599	5/16 SAE THRU HARD WASHER
5	1	000600	VENT PLUG (RAIL TWIN CYL)
6	2	004546	2" INTERNAL SNAP RING (3000-X200)
7	1	000586	5/16-18X3/4" HHCS GR5
8	1	004556	5/8 O-RING 2-111
9	1	001108	CYLINDER PORT ASSEMBLY PLUG(RAIL)
10	1	001109	SNAP RING REMOVAL TOOL
11	1	006980	CYLINDER FOOT WITH BEARING PAD (N)
12	1	095074	RAIL SERIES CYLINDER SEAL REPLACEMENT INSTRUCTIONS



REV.	DATE	CHANGE RECORD	BY	APPVD	ECN	DRAFT	ANGULAR	SALES CATEGORY	PRODUCT LINE	SCALE	FIN. WT.	PART NO.
C	1/13/11	ADDED (1) 6980 AND (1) 95074; REPLACED 1110 WITH INDIVIDUAL PARTS	JCB		404	2"	±1°					
B	10/4/07	REDESIGNED KEEPERS	JCB	KGJ								
						THIRD ANGLE PROJECTION	FILENAME:		WOODBINE MFG. CO.			
							SYMBOLY PER ANSI Y14.5		BUS BROWN DRIVE			
						DECIMAL	2PLC	3PLC	NOTES:			
						MACHINE SAW, DRILL	.030	.015	DRAWN BY. DJR			
						SHEAR, PUNCH FORM	.060	.030	DRAWN/DATE 7/11/03			
						TORCH, WELDING ROUGH CAST	.090	.060	APPVD/DATE			
									TITLE			
									CYL SHAFT w/SPROCKETS ASY(73RGNWSTYL)			
										1:6		3287

WOODBINE MFG. CO.
 BUS BROWN DRIVE
 WOODBINE, IOWA 51579
 712-647-2050

THE INFORMATION HERE IS CONFIDENTIAL AND MUST NOT BE USED IN ANYWAY DETRIMENTAL TO THE INTEREST OF WOODBINE MFG.