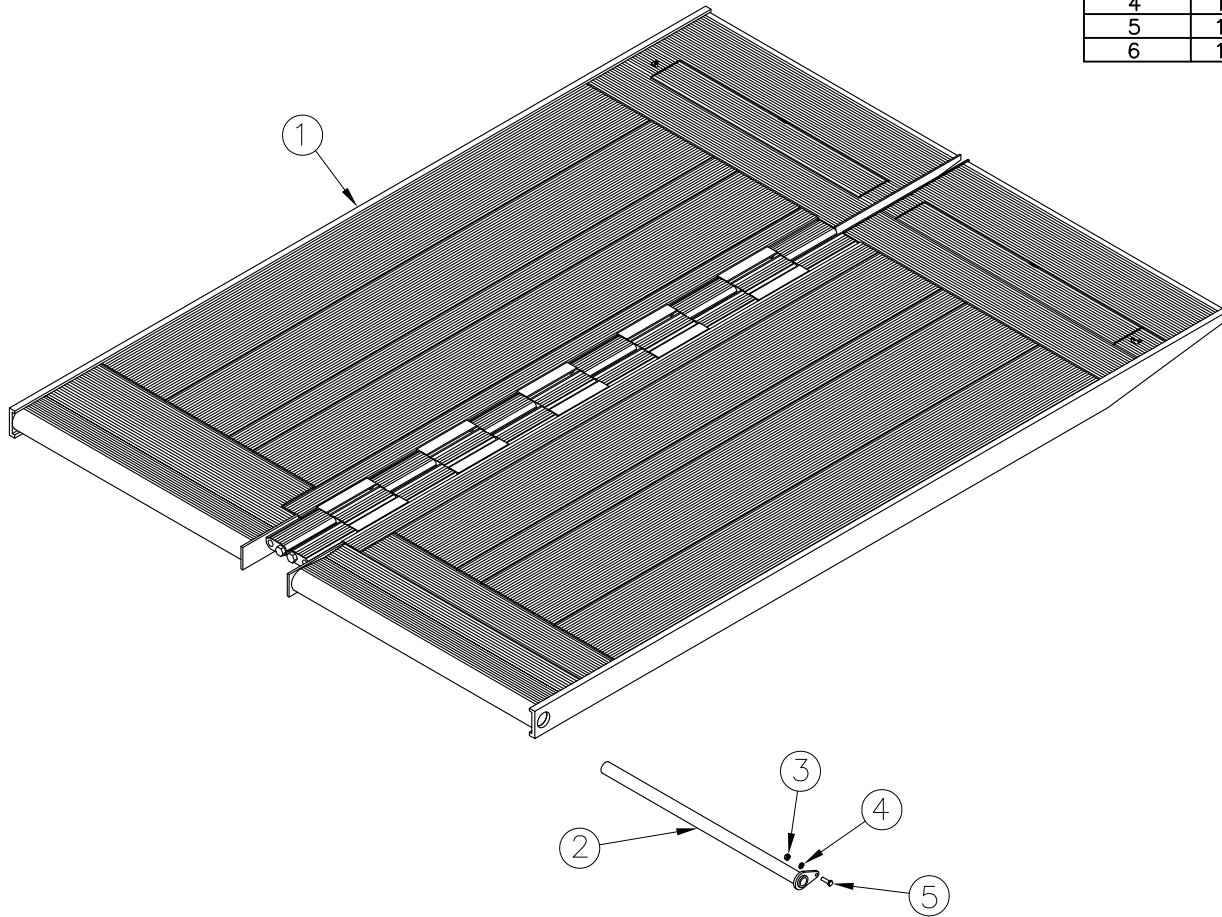


| ITEM NO. | QTY. | PART NO. | DESCRIPTION |
|----------|------|----------|---------------------------------------|
| 1 | 1 | 010587 | EA PLATFORM COMPLETE (71" CANTILEVER) |
| 2 | 1 | 010023 | PLATFORM PIN ASSEMBLY |
| 3 | 1 | 000554 | 5/16"-18 HEX NUT, ZP |
| 4 | 1 | 000584 | 5/16" SPRING LOCK WASHER, ZP |
| 5 | 1 | 010502 | 5/16"-18 X 1" HHCS GR 5, ZP |
| 6 | 1 | 010511 | DECAL SHEET-CANTILEVER |



| REV. | | DATE | CHANGE RECORD | BY | APPVD | ECN | THIRD ANGLE PROJECTION | | | FILENAME: | NOTES: | | WOODBINE MFG. CO. BUS BROWN DRIVE WOODBINE, IOWA 51579 | |
|------|---------|------|--|-----|-------|------|---------------------------------|----------------|------|---------------------------|--------------|---------------|--|-------------------|
| | | | | | | | DECIMAL | 2PLC | 3PLC | SYMBOLY PER ANSI Y14.5 | | | | |
| C | 1/18/14 | | REPLACED DECALS WITH DECAL SHEET | JCB | | 1040 | MACHINE SAW, DRILL | .030 | .015 | DRAWN BY. JCB | | | 712-647-2050 | |
| B | 2/7/12 | | ADDED (2) 10628, 10627, 10591, 9555, 11082 & (1) 10626, 9478 | JCB | | 561 | SHEAR, PUNCH FORM | .060 | .030 | DRAWN/DATE 7/5/11 | | | THE INFORMATION HERE IS CONFIDENTIAL AND MUST NOT BE USED IN ANYWAY DETIMENTAL TO THE INTEREST OF WOODBINE MFG. | |
| A | 7/5/11 | | RELEASED TO PRODUCTION | JCB | | 450 | TORCH, WELDING ROUGH CAST | .090 | .060 | APPVD/DATE | TITLE | | | |
| | | | | | | | DRAFT 2' | ANGULAR ±1' | | SALES CATEGORY | PRODUCT LINE | SCALE 1:14 | FIN. WT. | PART NO. 11252 |