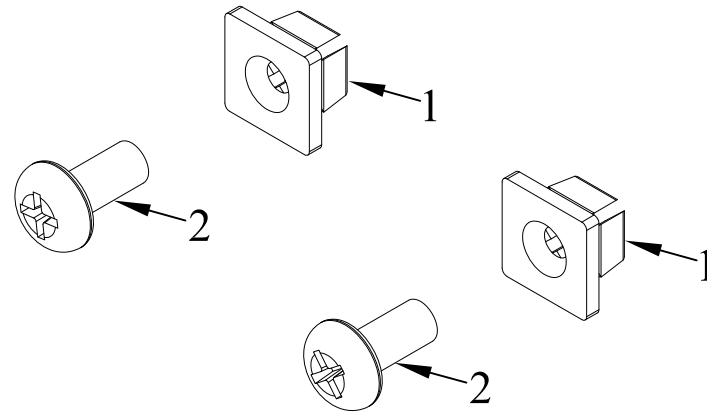


ITEM NO.	QTY.	PART NO.	DESCRIPTION
1	2	000628	PLASTIC INSERT NUT FOR LICENSE MOUNT
2	2	000620	1/4-20x1/2" PN HD TY FS(G2)



						THIRD ANGLE PROJECTION	FILENAME: E:\KITS(Repair Parts)\Cablegate\001111.dwg	WOODBINE MFG. CO. BUS BROWN DRIVE WOODBINE, IOWA 51579
							SYMBOLY PER ANSI Y14.5	NOTES:
						DECIMAL	2PLC	3PLC
						MACHINE SAW, DRILL	.030	.015
						SHEAR, PUNCH FORM	.060	.030
						TORCH, WELDING ROUGH CAST	.090	.060
B	6/25/07	UPDATED BOM	MTC	KGJ		DRAWN BY. DJR	DRAWN/DATE 12/10/03	712-647-2050
						APPVD/DATE 6/25/07	TITLE LICENSE PLATE MOUNT KIT	
REV.	DATE	CHANGE RECORD	BY	APPVD	ECN	DRAFT 2'	ANGULAR ±1°	THE INFORMATION HERE IS CONFIDENTIAL AND MUST NOT BE USED IN ANYWAY DETRIMENTAL TO THE INTEREST OF WOODBINE MFG.
						SALES CATEGORY 45	PRODUCT LINE 8950	SCALE N
							FIN. WT. 0.026	PART NO. 1111