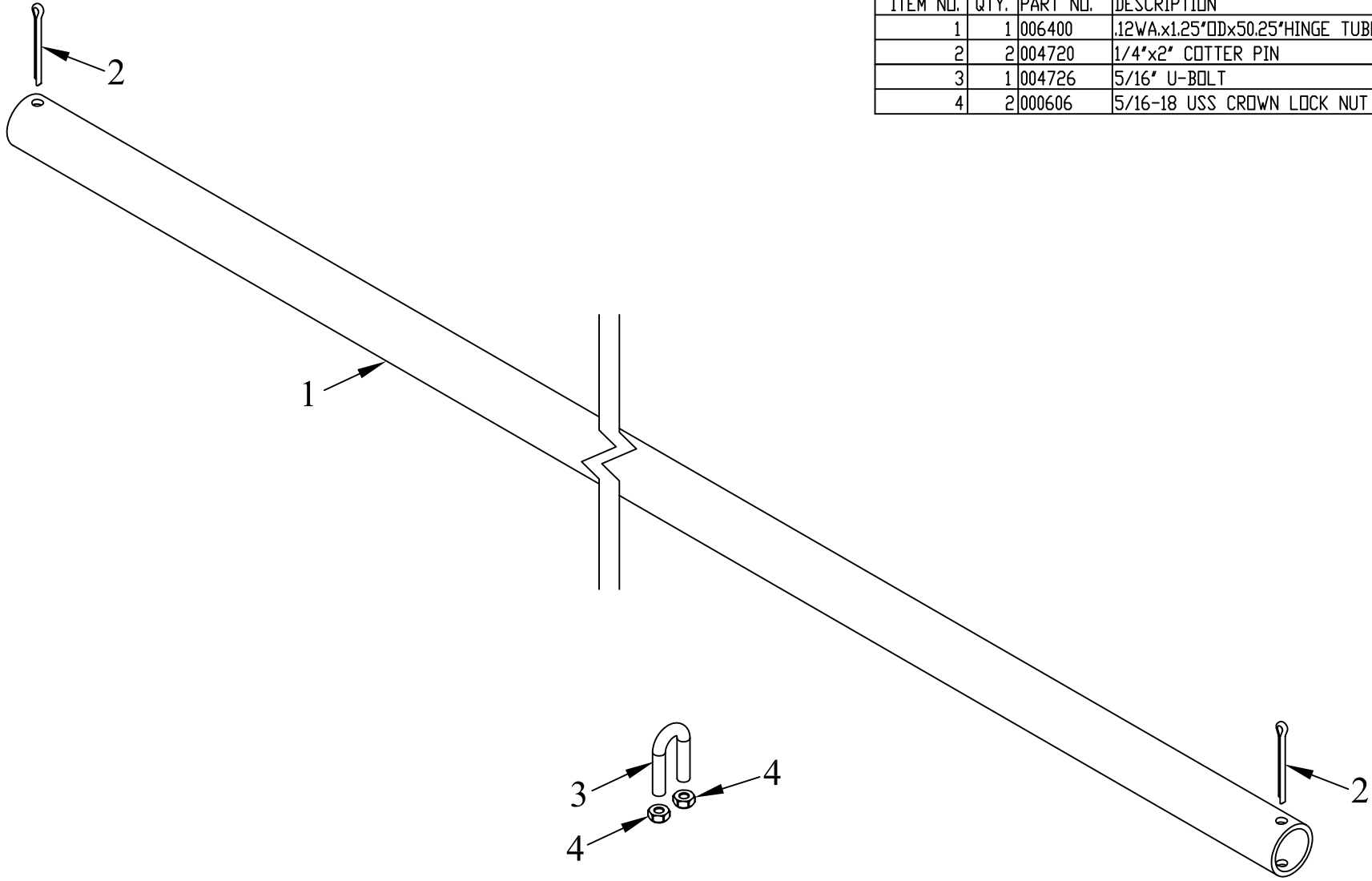


ITEM NO.	QTY.	PART NO.	DESCRIPTION
1	1	006400	.12WA,x1.25"ODx50.25"HINGE TUBE(48)
2	2	004720	1/4"x2" COTTER PIN
3	1	004726	5/16" U-BOLT
4	2	000606	5/16-18 USS CROWN LOCK NUT



						THIRD ANGLE PROJECTION	FILENAME:	WOODBINE MFG. CO. BUS BROWN DRIVE WOODBINE, IOWA 51579	
							SYMBOLY PER ANSI Y14.5	NOTES:	
						DECIMAL	2PLC	3PLC	712-647-2050
						MACHINE SAW, DRILL	.030	.015	
						SHEAR, PUNCH FORM	.060	.030	
						TORCH, WELDING ROUGH CAST	.090	.060	
						DRAFT 2°	ANGULAR ±1°	SALES CATEGORY	TITLE
REV.	DATE	CHANGE RECORD			BY	APPVD	ECN	45	48 & MINI REPLACEMENT HINGE TUBE- STEEL PLATFORM
								PRODUCT LINE	SCALE
								4500	N
								FIN. WT.	PART NO.
									6425

THE INFORMATION HERE IS CONFIDENTIAL AND MUST NOT BE USED IN ANYWAY DETRIMENTAL TO THE INTEREST OF WOODBINE MFG.