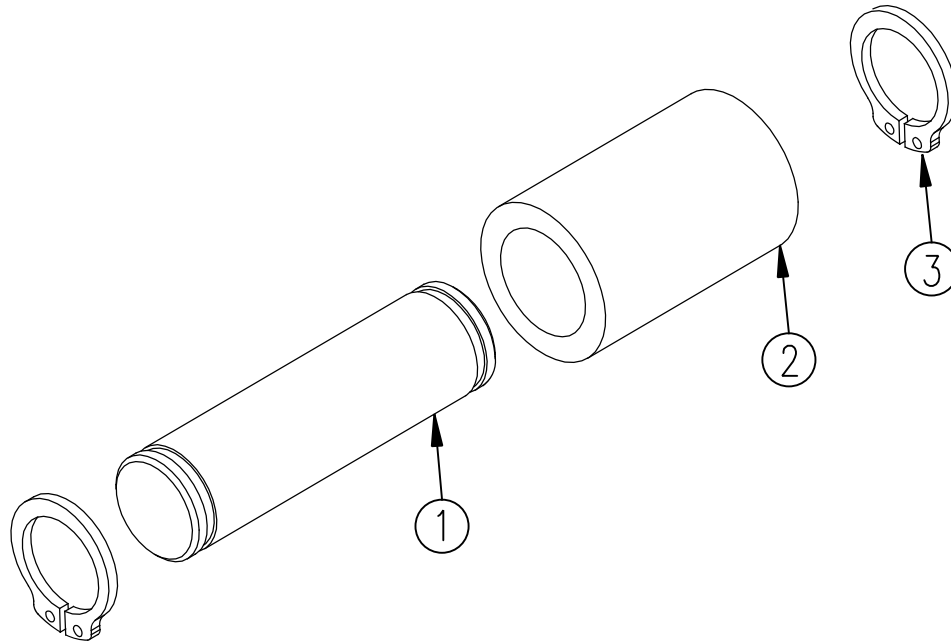
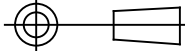


ITEM NO.	QTY.	PART NO.	DESCRIPTION
1	1	013900	.75"x2.75" CHROME PLATED LATCH PIN BF
2	1	014601	PLATED LATCH ROLLER 25/30 BF
3	2	002025	3/4" EXTERNAL SNAP RING(G2)PLATED
4	1	095219	BF LATCH PIN REPLACEMENT INSTRUCTIONS



				THIRD ANGLE PROJECTION					WOODBINE MFG. CO. BUS BROWN DRIVE WOODBINE, IOWA 51579	
							SYMBOLY PER ANSI Y14.5		NOTES:	
				DECIMAL	2PLC	3PLC	DRAWN BY.			
				MACHINE SAW, DRILL	.030	.015	AAS			
				SHEAR, PUNCH FORM	.060	.030	DRAWN/DATE			
				TORCH, WELDING ROUGH CAST	.090	.060	3/28/16			
A	3/28/16	RELEASED TO PRODUCTION	AAS	1593			TITLE		REPLACEMENT BIFOLD LATCH PIN	
REV.	DATE	CHANGE RECORD	BY	APPVD	ECN	DRAFT	ANGULAR	SCALE	FIN. WT.	PART NO.
						2'	±1'	1:6		014705

THE INFORMATION HERE IS CONFIDENTIAL AND MUST NOT BE USED IN ANYWAY DETRIMENTAL TO THE INTEREST OF WOODBINE MFG.

