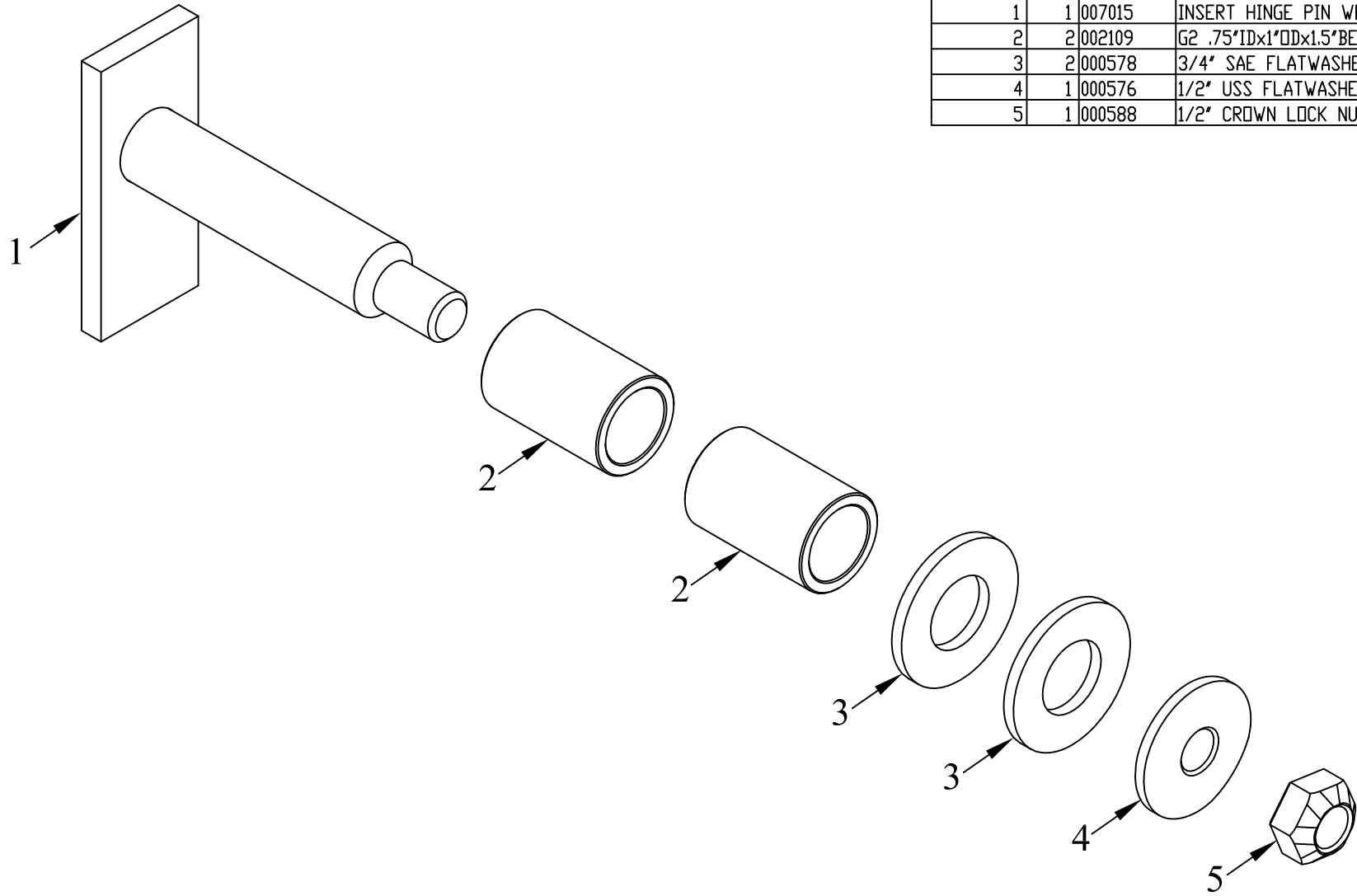


ITEM NO.	QTY.	PART NO.	DESCRIPTION
1	1	007015	INSERT HINGE PIN WELDMENT-LD
2	2	002109	G2 .75"IDx1"ODx1.5"BEARING<40>
3	2	000578	3/4" SAE FLATWASHER
4	1	000576	1/2" USS FLATWASHER
5	1	000588	1/2" CROWN LOCK NUT



REV.	DATE	CHANGE RECORD	BY	APPVD	ECN	DRAFT	ANGULAR	SALES CATEGORY	PRODUCT LINE	SCALE	FIN. WT.	PART NO.
						2'	±1'	45	8950	N		9492

THIRD ANGLE PROJECTION			FILENAME:		WOODBINE MFG. CO. BUS BROWN DRIVE WOODBINE, IOWA 51579 712-647-2050												
			SYMBOLY PER ANSI Y14.5														
<table border="1"> <thead> <tr> <th>DECIMAL</th> <th>2PLC</th> <th>3PLC</th> </tr> </thead> <tbody> <tr> <td>MACHINE SAW, DRILL</td> <td>.030</td> <td>.015</td> </tr> <tr> <td>SHEAR, PUNCH FORM</td> <td>.060</td> <td>.030</td> </tr> <tr> <td>TORCH, WELDING ROUGH CAST</td> <td>.090</td> <td>.060</td> </tr> </tbody> </table>			DECIMAL	2PLC		3PLC	MACHINE SAW, DRILL	.030	.015	SHEAR, PUNCH FORM	.060	.030	TORCH, WELDING ROUGH CAST	.090	.060	DRAWN BY: DJR	
DECIMAL	2PLC	3PLC															
MACHINE SAW, DRILL	.030	.015															
SHEAR, PUNCH FORM	.060	.030															
TORCH, WELDING ROUGH CAST	.090	.060															
			DRAWN/DATE 11/22/05														
			APPVD/DATE		NOTES: _____ _____ _____ _____ _____												
			TITLE REPLACEMENT LD INSERT PIVOT PIN ASSEMBLY														
<small>THE INFORMATION HERE IS CONFIDENTIAL AND MUST NOT BE USED IN ANYWAY DETRIMENTAL TO THE INTEREST OF WOODBINE MFG.</small>																	

