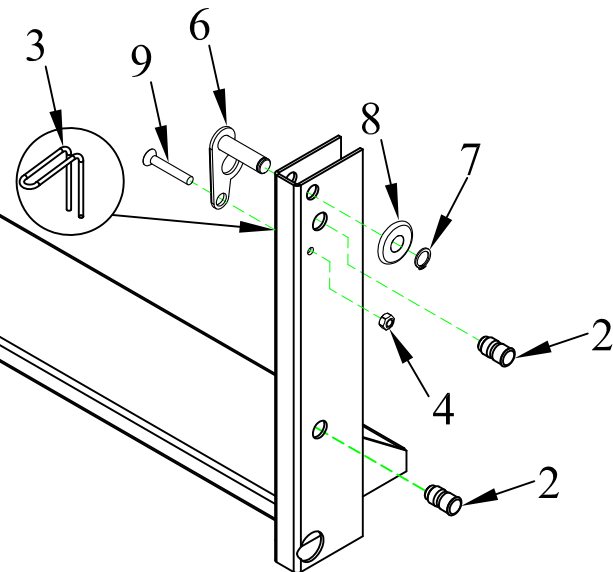


ITEM NO.	QTY.	PART NO.	DESCRIPTION
1	1	003274	DAKOTA EA SUB ASSEMBLY WELDMENT
2	4	007543	7/8"x1-1/2" ARM PIN
3	2	003820	KICKER SPRING
4	2	000606	5/16-18 USS CROWN LOCK NUT
5	1	010342	DROP PIN ASSEMBLY (LEFT) MINI
6	1	010343	DROP PIN ASSEMBLY (RIGHT) MINI
7	2	000615	5/8" EXTERNAL RETAINING RING-PLATED
8	2	010337	DROP CHAIN MACHINED WASHER
9	2	010467	5/16-18 X 2" FLHD SHCS - ZINC
10	1	095046	SUB-ASSEMBLY REPLACEMENT- ORIGINAL SERIES



					THIRD ANGLE PROJECTION			FILENAME:		WOODBINE MFG. CO. BUS BROWN DRIVE WOODBINE, IOWA 51579																	
								SYMBOLY PER ANSI Y14.5				NOTES:															
					<table border="1"> <tr> <td>DECIMAL</td> <td>2PLC</td> <td>3PLC</td> </tr> <tr> <td>MACHINE SAW, DRILL</td> <td>.030</td> <td>.015</td> </tr> <tr> <td>SHEAR, PUNCH FORM</td> <td>.060</td> <td>.030</td> </tr> <tr> <td>TORCH, WELDING ROUGH CAST</td> <td>.090</td> <td>.060</td> </tr> </table>			DECIMAL	2PLC	3PLC	MACHINE SAW, DRILL			.030	.015	SHEAR, PUNCH FORM	.060	.030	TORCH, WELDING ROUGH CAST	.090	.060	DRAWN BY: DJR		DRAWN/DATE 5/27/04		812-647-2050	
DECIMAL	2PLC	3PLC																									
MACHINE SAW, DRILL	.030	.015																									
SHEAR, PUNCH FORM	.060	.030																									
TORCH, WELDING ROUGH CAST	.090	.060																									
C 3/2/11					REPLACED 95059 WITH 95046			JCB		415																	
B 2/24/10					REMOVED PN4769 AND 3818; ADDED PN10342, 10343, 615, 10337, 10467, 3820, 606			MTC		270																	
REV. DATE					CHANGE RECORD			BY APPVD ECN		DRAFT 2'		ANGULAR ±1'															
										SCALE N		FIN. WT.															
										PART NO.		3590															

THE INFORMATION HERE IS CONFIDENTIAL AND MUST NOT BE USED IN ANYWAY DETRIMENTAL TO THE INTEREST OF WOODBINE MFG.