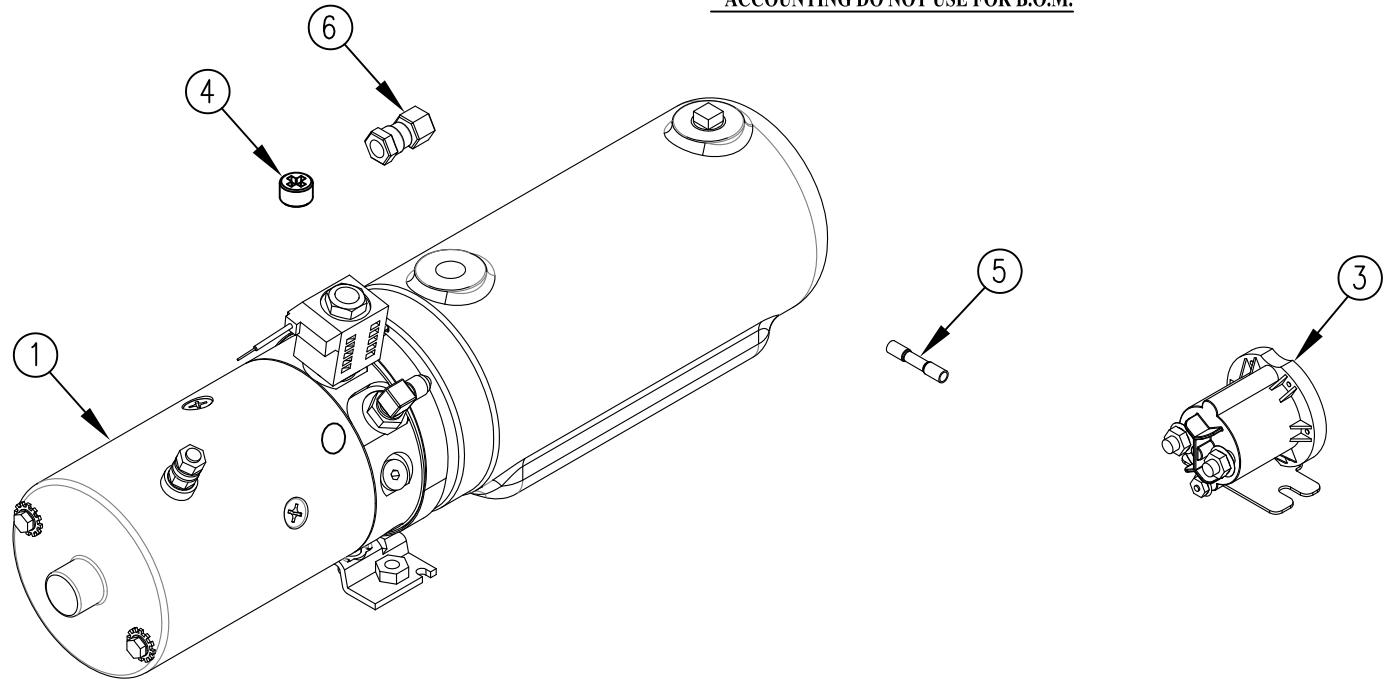


ITEM NO.	QTY.	PART NO.	DESCRIPTION
1	1	004489	PUMP & MOTOR 3QT RAIL
2	0.625 GAL	009034	HYDRAULIC OIL
3	1	004321*	MONARCH 3-POST SOLENOID
4	1	004403*	VENT PLUG
5	1	009089	16-14 HEAT SHRINK BUTT CONNECTOR
6	1	012967	#4 FJIC TO #4 FEMALE NPT ADAPTOR (6506-4-4)
7	1	095048	REPLACEMENT POWER UNIT INSTALLATION INSTR.

* ACCOUNTING DO NOT USE FOR B.O.M.



REV.	DATE	CHANGE RECORD	BY	APPVD	ECN	THIRD ANGLE PROJECTION	FILENAME:	SYMBOLY PER ANSI Y14.5	NOTES:	WOODBINE MFG. CO. BUS BROWN DRIVE WOODBINE, IOWA 51579 712-647-2050											
B	11/14/13	ADDED (1) 012967	GDB		1004																
A	10/17/11	RELEASED TO PRODUCTION	JAR		529	<table border="1"> <thead> <tr> <th>DECIMAL</th> <th>2PLC</th> <th>3PLC</th> </tr> </thead> <tbody> <tr> <td>MACHINE SAW, DRILL</td> <td>.030</td> <td>.015</td> </tr> <tr> <td>SHEAR, PUNCH FORM</td> <td>.060</td> <td>.030</td> </tr> <tr> <td>TORCH, WELDING ROUGH CAST</td> <td>.090</td> <td>.060</td> </tr> </tbody> </table>	DECIMAL	2PLC	3PLC		MACHINE SAW, DRILL	.030	.015	SHEAR, PUNCH FORM	.060	.030	TORCH, WELDING ROUGH CAST	.090	.060		
DECIMAL	2PLC	3PLC																			
MACHINE SAW, DRILL	.030	.015																			
SHEAR, PUNCH FORM	.060	.030																			
TORCH, WELDING ROUGH CAST	.090	.060																			
						DRAFT 2'	ANGULAR ±1'	SALES CATEGORY	PRODUCT LINE	SCALE 1:4	FIN. WT.	PART NO. 11780									

THE INFORMATION HERE IS CONFIDENTIAL AND MUST NOT BE USED IN ANYWAY DETRIMENTAL TO THE INTEREST OF WOODBINE MFG.