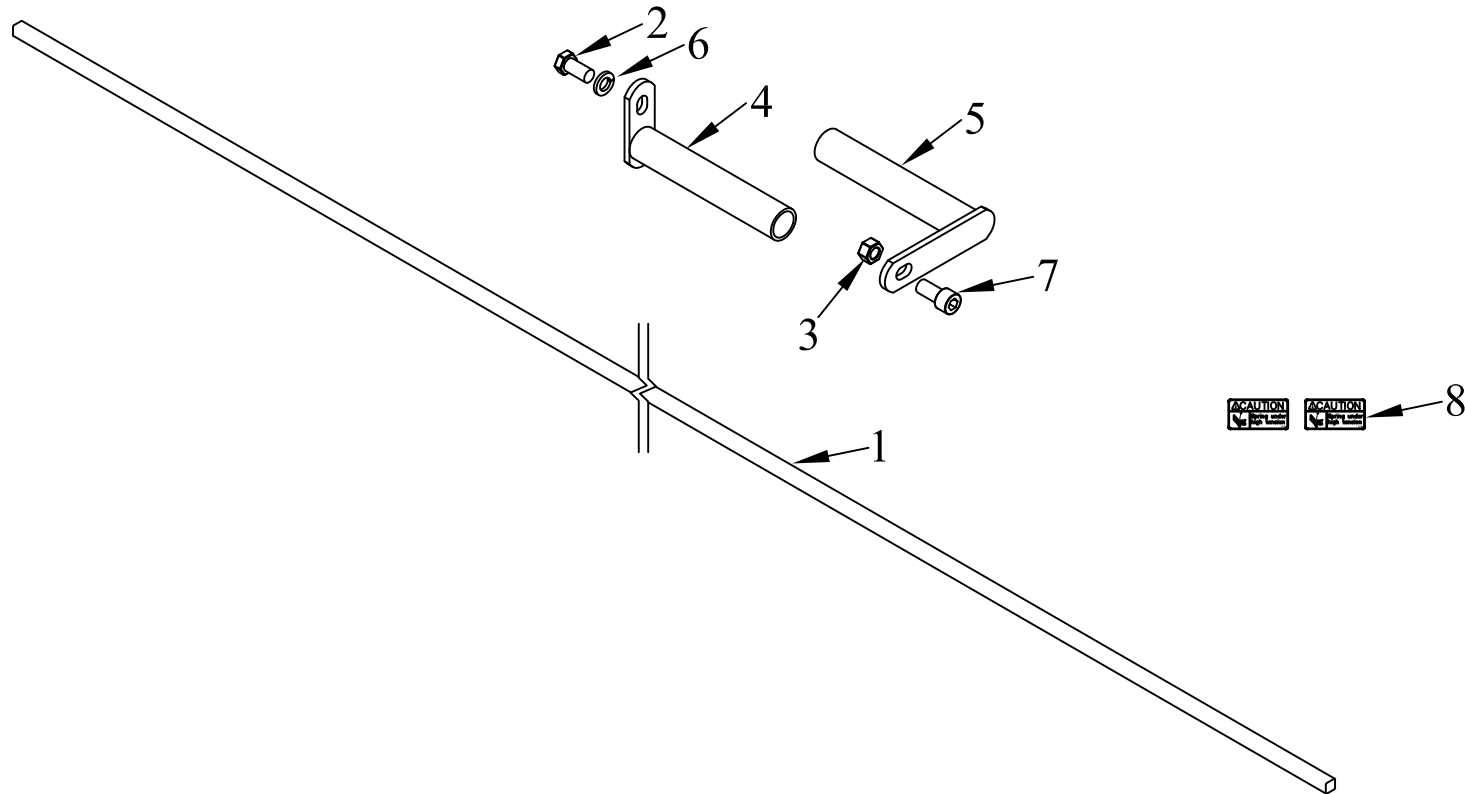


| ITEM NO. | QTY. | PART NO. | DESCRIPTION |
|----------|------|----------|---|
| 1 | 1 | 005044 | 1/2" TORSION SPRING(86) |
| 2 | 1 | 000587 | 1/2-13x1" HHCS GR5 |
| 3 | 1 | 000588 | 1/2-13 CROWN LOCK NUT |
| 4 | 1 | 007433 | DRIVER'S SIDE SQ SPRING HOLDER |
| 5 | 1 | 007435 | PASS SIDE SQ SPRING HOLDER(86-91) |
| 6 | 1 | 000573 | 1/2" SPRING LOCKWASHER |
| 7 | 1 | 000604 | 1/2-13x1"USS SOC HD CAP STAINLESS |
| 8 | 2 | 009540 | WARNING DECAL - SPRING TENSION |
| 9 | 1 | 095064 | PLATFORM AND/OR TORSION SPRING (CABLE/G2) |



| REV. | DATE | CHANGE RECORD | BY | APPVD | ECN | THIRD ANGLE PROJECTION | FILENAME: | SYMBOLY PER ANSI Y14.5 | NOTES: | WOODBINE MFG. CO. BUS BROWN DRIVE WOODBINE, IOWA 51579 712-647-2050 | | | | | | | | | | | | |
|---------------------------|----------|--|-----|-------|-----|--|-----------|------------------------|--------|--|--------------------|--------------|-------|-------------------|----------|------|---------------------------|------|------|--|--|--|
| D | 3/29/11 | ADDED 95064 | JCB | | 427 | | | | | | | | | | | | | | | | | |
| C | 11/15/10 | ADDED (2) 9540 | JCB | | 376 | <table border="1"> <tr> <td>DECIMAL</td> <td>2PLC</td> <td>3PLC</td> </tr> <tr> <td>MACHINE SAW, DRILL</td> <td>.030</td> <td>.015</td> </tr> <tr> <td>SHEAR, PUNCH FORM</td> <td>.060</td> <td>.030</td> </tr> <tr> <td>TORCH, WELDING ROUGH CAST</td> <td>.090</td> <td>.060</td> </tr> </table> | DECIMAL | 2PLC | 3PLC | | MACHINE SAW, DRILL | .030 | .015 | SHEAR, PUNCH FORM | .060 | .030 | TORCH, WELDING ROUGH CAST | .090 | .060 | | | |
| DECIMAL | 2PLC | 3PLC | | | | | | | | | | | | | | | | | | | | |
| MACHINE SAW, DRILL | .030 | .015 | | | | | | | | | | | | | | | | | | | | |
| SHEAR, PUNCH FORM | .060 | .030 | | | | | | | | | | | | | | | | | | | | |
| TORCH, WELDING ROUGH CAST | .090 | .060 | | | | | | | | | | | | | | | | | | | | |
| B | 12/2/09 | REPLACED 551 W/ 588; UPDATED DESCRIPTION | JCB | | 242 | | | | | | | | | | | | | | | | | |
| | | | | | | <table border="1"> <tr> <td>DRAFT</td> <td>ANGULAR</td> </tr> <tr> <td>2°</td> <td>±1°</td> </tr> </table> | DRAFT | ANGULAR | 2° | ±1° | SALES CATEGORY | PRODUCT LINE | SCALE | FIN. WT. | PART NO. | | | | | | | |
| DRAFT | ANGULAR | | | | | | | | | | | | | | | | | | | | | |
| 2° | ±1° | | | | | | | | | | | | | | | | | | | | | |
| | | | | | | | | N | 9.36 | 8118 | | | | | | | | | | | | |

THE INFORMATION HERE IS CONFIDENTIAL AND MUST NOT BE USED IN ANYWAY DETRIMENTAL TO THE INTEREST OF WOODBINE MFG.