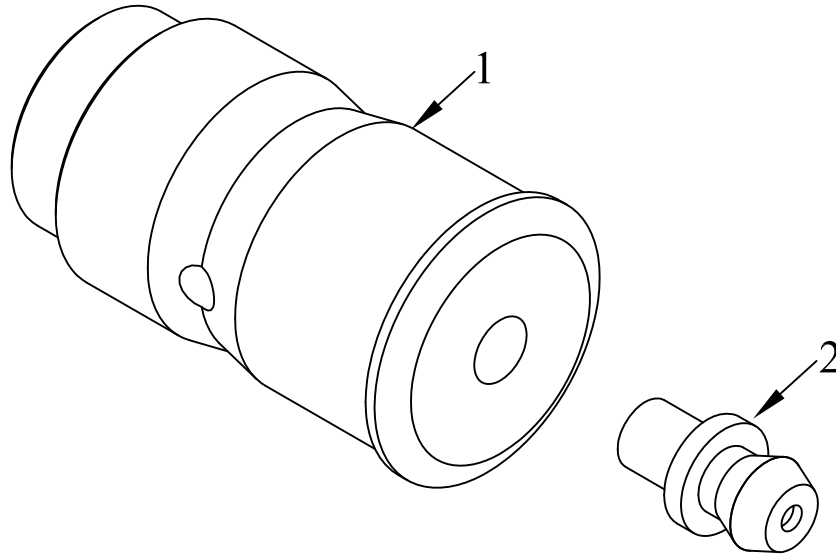


ITEM NO.	QTY.	PART NO.	DESCRIPTION
1	1	007511	.75"DIA.x1.45"ARM PIN w/GREASE HOLE
2	1	004740	3/16" STRAIGHT ZERK w/BALL



REV.	DATE	CHANGE RECORD	BY	APPVD	ECN	THIRD ANGLE PROJECTION	FILENAME:	SYMBOLY PER ANSI Y14.5	NOTES:	WOODBINE MFG. CO. BUS BROWN DRIVE WOODBINE, IOWA 51579 712-647-2050																		
						<table border="1"> <thead> <tr> <th>DECIMAL</th> <th>2PLC</th> <th>3PLC</th> </tr> </thead> <tbody> <tr> <td>MACHINE SAW, DRILL</td> <td>.030</td> <td>.015</td> </tr> <tr> <td>SHEAR, PUNCH FORM</td> <td>.060</td> <td>.030</td> </tr> <tr> <td>TORCH, WELDING ROUGH CAST</td> <td>.090</td> <td>.060</td> </tr> </tbody> </table>	DECIMAL	2PLC	3PLC		MACHINE SAW, DRILL	.030	.015	SHEAR, PUNCH FORM	.060	.030	TORCH, WELDING ROUGH CAST	.090	.060	<table border="1"> <tr> <td>DRAWN BY.</td> <td>DJR</td> </tr> <tr> <td>DRAWN/DATE</td> <td>6/16/04</td> </tr> <tr> <td>APPVD/DATE</td> <td></td> </tr> </table>	DRAWN BY.	DJR	DRAWN/DATE	6/16/04	APPVD/DATE			<p>THE INFORMATION HERE IS CONFIDENTIAL AND MUST NOT BE USED IN ANYWAY DETRIMENTAL TO THE INTEREST OF WOODBINE MFG.</p>
DECIMAL	2PLC	3PLC																										
MACHINE SAW, DRILL	.030	.015																										
SHEAR, PUNCH FORM	.060	.030																										
TORCH, WELDING ROUGH CAST	.090	.060																										
DRAWN BY.	DJR																											
DRAWN/DATE	6/16/04																											
APPVD/DATE																												
						<table border="1"> <tr> <th>DRAFT</th> <th>ANGULAR</th> </tr> <tr> <td>2°</td> <td>±1°</td> </tr> </table>	DRAFT	ANGULAR	2°	±1°	SALES CATEGORY	PRODUCT LINE	SCALE	FIN. WT.	PART NO.	7545												
DRAFT	ANGULAR																											
2°	±1°																											
						45	4912	N																				