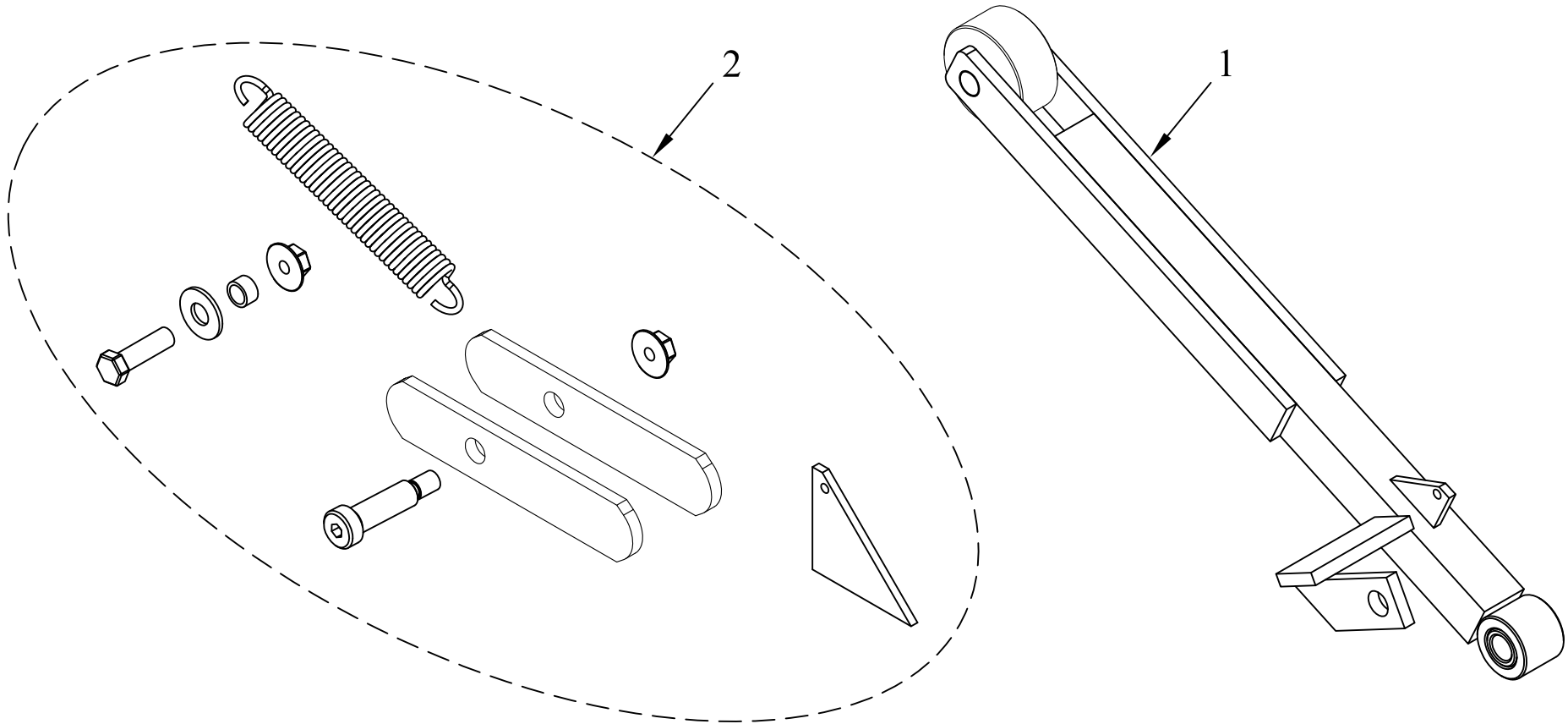


ITEM NO.	QTY.	PART NO.	DESCRIPTION
1	1	007298	COMPLETE PLATED SELF CLOSE ARM-LEFT (N)
2	1	008120	REPAIR HARDWARE ONLY-ALUM SC ARM



REV.	DATE	CHANGE RECORD	BY	APPVD	ECN	THIRD ANGLE PROJECTION	FILENAME:	SYMBOLY PER ANSI Y14.5	NOTES:	WOODBINE MFG. CO. BUS BROWN DRIVE WOODBINE, IOWA 51579																	
						<table border="1"> <tr> <td>DECIMAL</td> <td>2PLC</td> <td>3PLC</td> </tr> <tr> <td>MACHINE SAW, DRILL</td> <td>.030</td> <td>.015</td> </tr> <tr> <td>SHEAR, PUNCH FORM</td> <td>.060</td> <td>.030</td> </tr> <tr> <td>TORCH, WELDING ROUGH CAST</td> <td>.090</td> <td>.060</td> </tr> </table>	DECIMAL	2PLC	3PLC		MACHINE SAW, DRILL	.030	.015	SHEAR, PUNCH FORM	.060	.030	TORCH, WELDING ROUGH CAST	.090	.060	<table border="1"> <tr> <td>DRAWN BY.</td> <td>JCB</td> </tr> <tr> <td>DRAWN/DATE</td> <td>9/26/07</td> </tr> <tr> <td>APPVD/DATE</td> <td></td> </tr> </table>	DRAWN BY.	JCB	DRAWN/DATE	9/26/07	APPVD/DATE		
DECIMAL	2PLC	3PLC																									
MACHINE SAW, DRILL	.030	.015																									
SHEAR, PUNCH FORM	.060	.030																									
TORCH, WELDING ROUGH CAST	.090	.060																									
DRAWN BY.	JCB																										
DRAWN/DATE	9/26/07																										
APPVD/DATE																											
B	2/8/10	COMBINED PARTS INTO HARDWARE KIT (8120)	JCB		264					<small>THE INFORMATION HERE IS CONFIDENTIAL AND MUST NOT BE USED IN ANYWAY DETRIMENTAL TO THE INTEREST OF WOODBINE MFG.</small>																	
A	9/26/07	DRAWN IN AUTOCAD	JCB	KGJ						<table border="1"> <tr> <td>TITLE</td> <td>REPLACEMENT ALUM PLAT SC ARM KIT-L (ALUM FRAME)(N)</td> </tr> <tr> <td>SALES CATEGORY</td> <td></td> </tr> <tr> <td>PRODUCT LINE</td> <td></td> </tr> <tr> <td>SCALE</td> <td>N</td> </tr> <tr> <td>FIN. WT.</td> <td>6.49</td> </tr> <tr> <td>PART NO.</td> <td>8128</td> </tr> </table>	TITLE	REPLACEMENT ALUM PLAT SC ARM KIT-L (ALUM FRAME)(N)	SALES CATEGORY		PRODUCT LINE		SCALE	N	FIN. WT.	6.49	PART NO.	8128					
TITLE	REPLACEMENT ALUM PLAT SC ARM KIT-L (ALUM FRAME)(N)																										
SALES CATEGORY																											
PRODUCT LINE																											
SCALE	N																										
FIN. WT.	6.49																										
PART NO.	8128																										