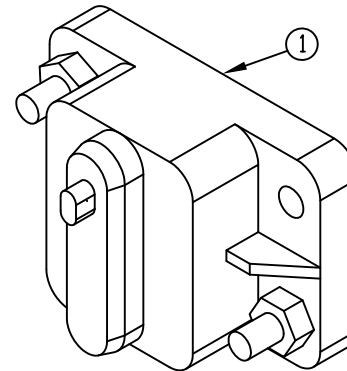
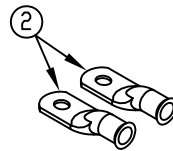
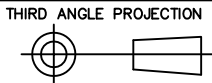



ITEM NO.	QTY.	PART NO.	DESCRIPTION
1	1	010421	200 AMP MANUAL RESET CIRCUIT BREAKER
2	2	004691	COPPER LUG - 5/16 EYE



						THIRD ANGLE PROJECTION 	FILENAME:	WOODBINE MFG. CO. BUS BROWN DRIVE WOODBINE, IOWA 51579
						DECIMAL	SYMBOLY PER ANSI Y14.5	NOTES:
						2PLC	DRAWN BY: JAR	
						3PLC	DRAWN/DATE 11/4/11	712-647-2050 
						MACHINE SAW, DRILL	APPVD/DATE	THE INFORMATION HERE IS CONFIDENTIAL AND MUST NOT BE USED IN ANYWAY DETRIMENTAL TO THE INTEREST OF WOODBINE MFG.
						SHEAR, PUNCH FORM	TITLE REPLACEMENT 200 AMP CIRCUIT BREAKER	
A	11/4/11	RELEASED TO PRODUCTION	JAR		539	TORCH, WELDING ROUGH CAST	SALES CATEGORY	
REV.	DATE	CHANGE RECORD	BY	APPVD	ECN	DRAFT 2"	PRODUCT LINE	
						ANGULAR ±1"	SCALE 1:6	
							FIN. WT.	PART NO. 11804