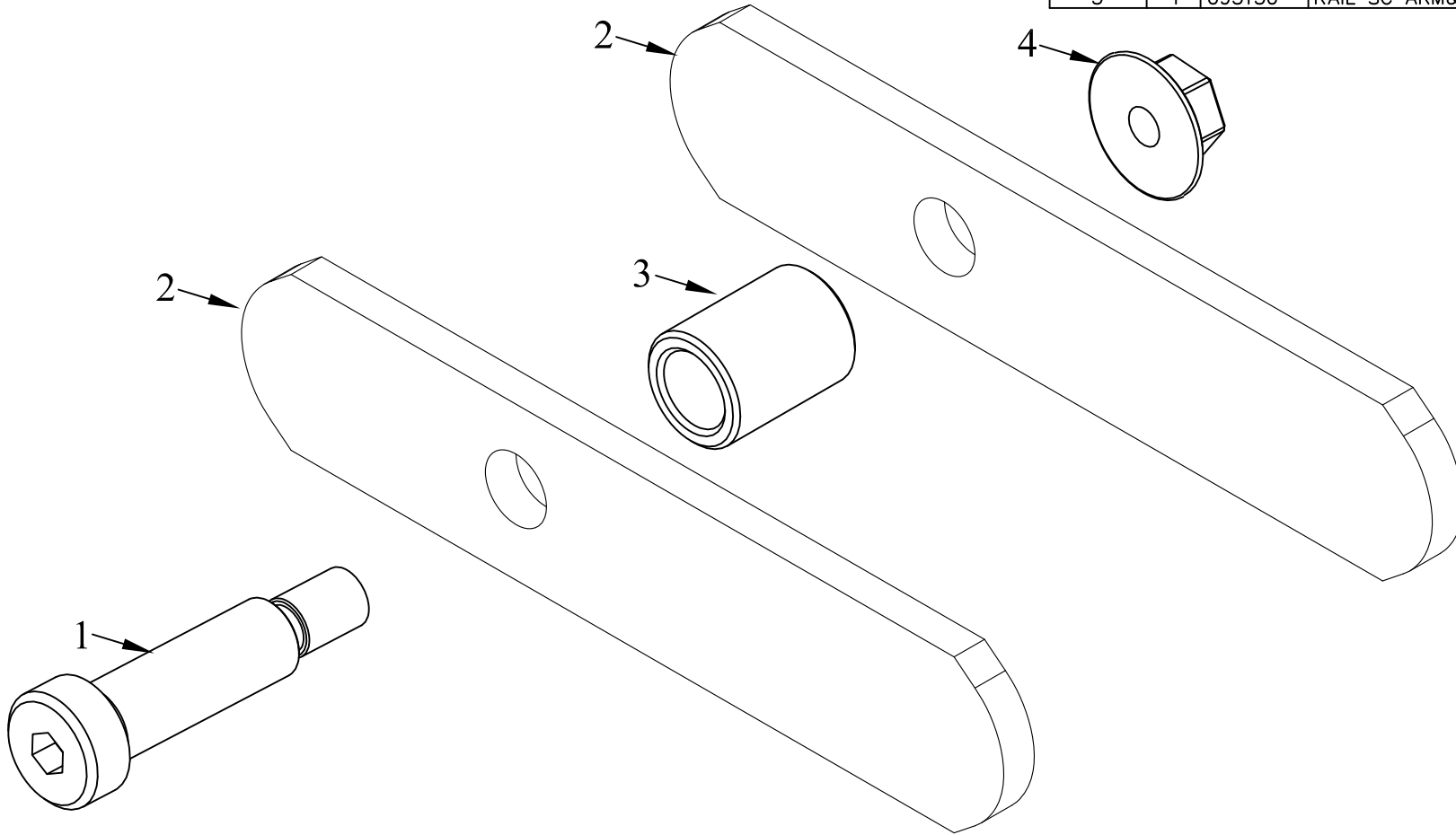


ITEM NO.	QTY.	PART NO.	DESCRIPTION
1	1	001902	1/2"DIA.x1-1/2"CHROME SHOULDER BOLT
2	2	001923	.25"x1.25"x6" ALUMINUM BAR
3	1	001907	.50"x.75"x1" BRONZE BUSHING
4	1	000553	3/8-16 LARGE FLANGE LOCK NUT
5	1	095150	RAIL SC ARM&LINKAGE ROD INSTR(16/20)



REV.	DATE	CHANGE RECORD	BY	APPVD	ECN	THIRD ANGLE PROJECTION			FILENAME:		NOTES:		WOODBINE MFG. CO. BUS BROWN DRIVE WOODBINE, IOWA 51579	
						DECIMAL	2PLC	3PLC	SYMBOLY PER ANSI Y14.5	DRAWN BY.				
B	1/24/17	ADDED (1) 95150	AAS		1783	MACHINE SAW, DRILL	.030	.015	DRAWN/DATE	DJR				
A	10/4/07	UPDATED GRAPHIC	JCB	KGJ		SHEAR, PUNCH FORM	.060	.030	DRAWN/DATE	7/8/03				
						TORCH, WELDING ROUGH CAST	.090	.060	APPVD/DATE	10/4/07				
						DRAFT	2'	ANGULAR	SALES CATEGORY	45	PRODUCT LINE	8950	SCALE	1:1
									FIN. WT.		PART NO.	8068		



THE INFORMATION HERE IS CONFIDENTIAL AND MUST NOT BE USED IN ANYWAY DETRIMENTAL TO THE INTEREST OF WOODBINE MFG.