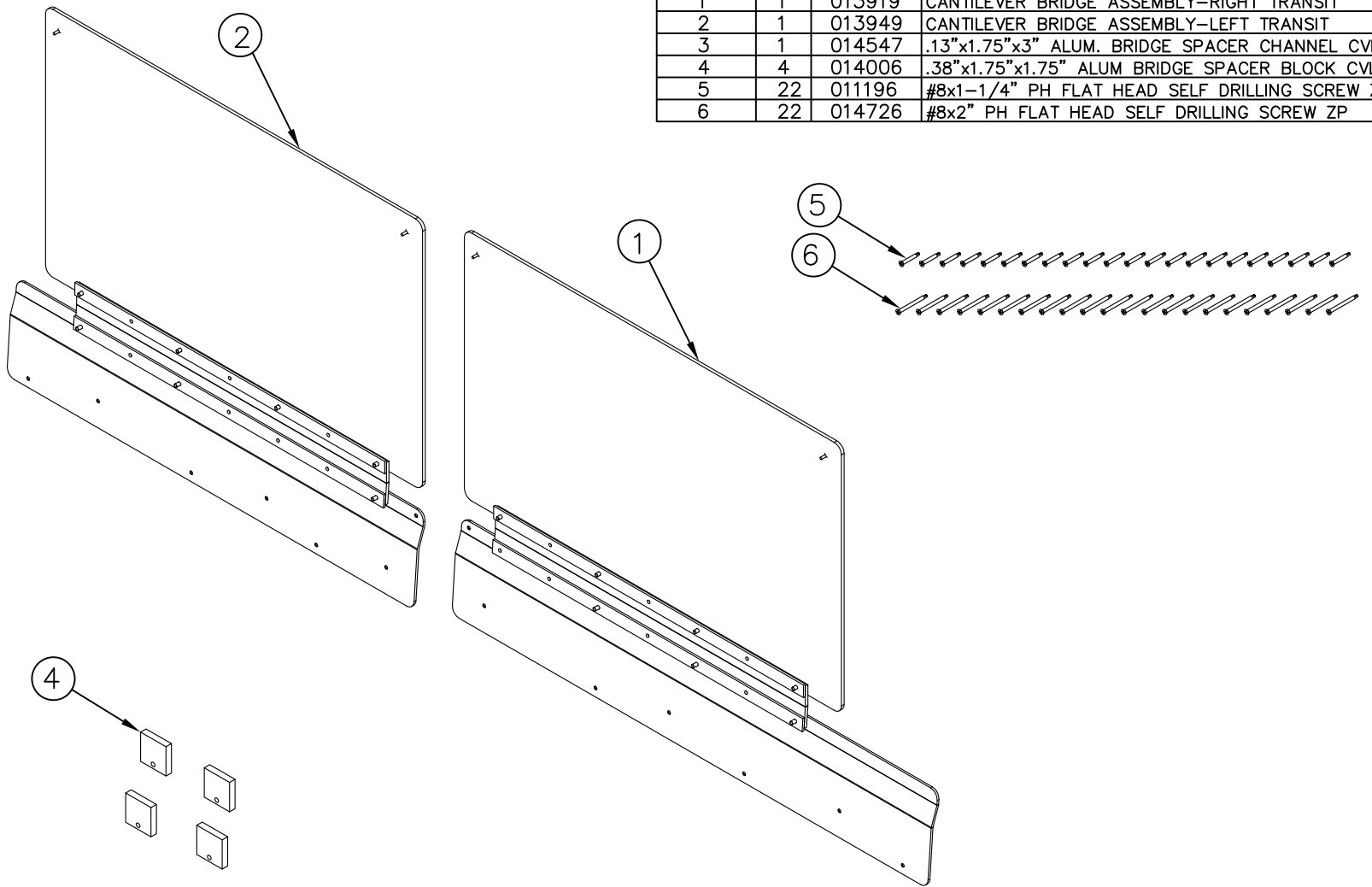


ITEM NO.	QTY.	PART NO.	DESCRIPTION
1	1	013919	CANTILEVER BRIDGE ASSEMBLY--RIGHT TRANSIT
2	1	013949	CANTILEVER BRIDGE ASSEMBLY--LEFT TRANSIT
3	1	014547	.13"x1.75"x3" ALUM. BRIDGE SPACER CHANNEL CVL
4	4	014006	.38"x1.75"x1.75" ALUM BRIDGE SPACER BLOCK CVL
5	22	011196	#8x1-1/4" PH FLAT HEAD SELF DRILLING SCREW ZP
6	22	014726	#8x2" PH FLAT HEAD SELF DRILLING SCREW ZP



REV.	DATE	CHANGE RECORD	BY	APPVD	ECN	THIRD ANGLE PROJECTION	FILENAME:	SYMBOLY PER ANSI Y14.5	NOTES:	WOODBINE MFG. CO. BUS BROWN DRIVE WOODBINE, IOWA 51579																														
B.1	3/12/18	GRAPHIC FOR 14726 SHOWED (23) UPDATED TO (22)	AAS			<table border="1"> <tr> <td>DECIMAL</td> <td>2PLC</td> <td>3PLC</td> </tr> <tr> <td>MACHINE SAW, DRILL</td> <td>.030</td> <td>.015</td> </tr> <tr> <td>SHEAR, PUNCH FORM</td> <td>.060</td> <td>.030</td> </tr> <tr> <td>TORCH, WELDING ROUGH CAST</td> <td>.090</td> <td>.060</td> </tr> <tr> <td>DRAFT 2'</td> <td>ANGULAR ±1'</td> <td></td> </tr> </table>	DECIMAL	2PLC	3PLC	MACHINE SAW, DRILL	.030	.015	SHEAR, PUNCH FORM	.060	.030	TORCH, WELDING ROUGH CAST	.090	.060	DRAFT 2'	ANGULAR ±1'		<table border="1"> <tr> <td>DRAWN BY.</td> <td>AAS</td> </tr> <tr> <td>DRAWN/DATE</td> <td>10/15/15</td> </tr> <tr> <td>APPVD/DATE</td> <td></td> </tr> <tr> <td>SALES CATEGORY</td> <td></td> </tr> </table>	DRAWN BY.	AAS	DRAWN/DATE	10/15/15	APPVD/DATE		SALES CATEGORY		<table border="1"> <tr> <td>PRODUCT LINE</td> <td>SCALE</td> <td>FIN. WT.</td> <td>PART NO.</td> </tr> <tr> <td></td> <td>1:8</td> <td></td> <td>14598</td> </tr> </table>	PRODUCT LINE	SCALE	FIN. WT.	PART NO.		1:8		14598	<p>THE INFORMATION HERE IS CONFIDENTIAL AND MUST NOT BE USED IN ANYWAY DETRIMENTAL TO THE INTEREST OF WOODBINE MFG.</p>
DECIMAL	2PLC	3PLC																																						
MACHINE SAW, DRILL	.030	.015																																						
SHEAR, PUNCH FORM	.060	.030																																						
TORCH, WELDING ROUGH CAST	.090	.060																																						
DRAFT 2'	ANGULAR ±1'																																							
DRAWN BY.	AAS																																							
DRAWN/DATE	10/15/15																																							
APPVD/DATE																																								
SALES CATEGORY																																								
PRODUCT LINE	SCALE	FIN. WT.	PART NO.																																					
	1:8		14598																																					
B	4/8/16	ADDED (22) 14726	JCB		1610																																			
A	10/15/15	RELEASED FOR PRODUCTION	AAS		1498																																			
CHANGE RECORD																																								