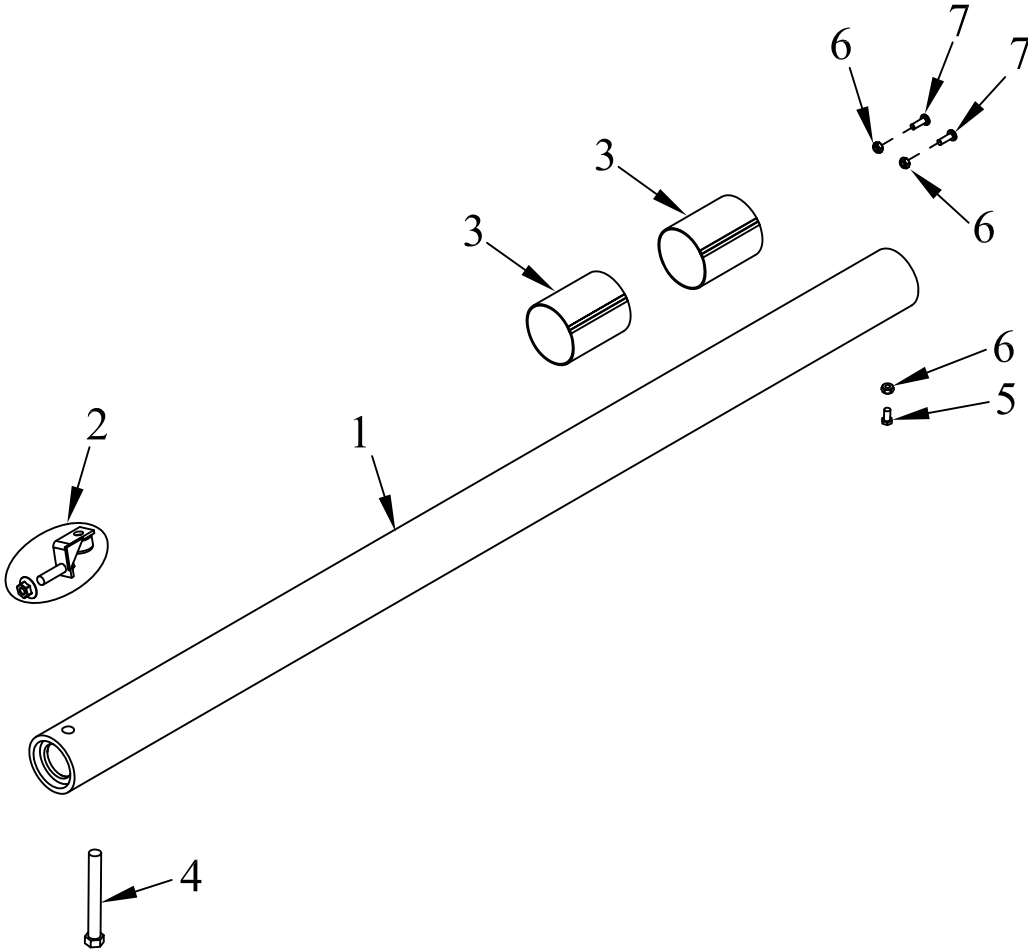


ITEM NO.	QTY.	PART NO.	DESCRIPTION
1	1	1362	2"O.D.x37.25" TUBE WELDMENT
2	1	2203	REPLACEMENT FLIPPER STOP(650-31)
3	2	1452	.050"x2.5"x6.25"PLATFORM WEAR BUSHING
4	1	533	3/8-16x3" HHCS GR5
5	1	546	1/4-20x1/2" USS SOC HD CAP
6	3	532	1/4-20 USS CROWN LOCK NUT
7	2	504	1/4-20x3/4" PH PAN HD MS



				THIRD ANGLE PROJECTION		FILENAME:		WOODBINE MFG. CO.															
						SYMBOLY PER ANSI Y14.5		BUS BROWN DRIVE															
				<table border="1"> <tr> <th>DECIMAL</th> <th>2PLC</th> <th>3PLC</th> </tr> <tr> <td>MACHINE SAW, DRILL</td> <td>.030</td> <td>.015</td> </tr> <tr> <td>SHEAR, PUNCH FORM</td> <td>.060</td> <td>.030</td> </tr> <tr> <td>TORCH, WELDING ROUGH CAST</td> <td>.090</td> <td>.060</td> </tr> </table>		DECIMAL	2PLC	3PLC	MACHINE SAW, DRILL	.030	.015	SHEAR, PUNCH FORM	.060	.030	TORCH, WELDING ROUGH CAST	.090	.060	DRAWN BY. DJR		NOTES:		WOODBINE, IOWA 51579	
DECIMAL	2PLC	3PLC																					
MACHINE SAW, DRILL	.030	.015																					
SHEAR, PUNCH FORM	.060	.030																					
TORCH, WELDING ROUGH CAST	.090	.060																					
						DRAWN/DATE 7/28/05		712-647-2050															
						APPVD/DATE																	
						TITLE		THE INFORMATION HERE IS CONFIDENTIAL AND MUST NOT BE USED IN ANYWAY DETRIMENTAL TO THE INTEREST OF WOODBINE MFG.															
						SALES CATEGORY 45		2"x37.25"REPLACEMENT HINGE TUBE w/BUSHINGS(650)															
REV.	DATE	CHANGE RECORD	BY	APPVD	ECN	DRAFT 2'	ANGULAR ±1'	PRODUCT LINE 8900	SCALE N	FIN. WT.	PART NO. 1385												