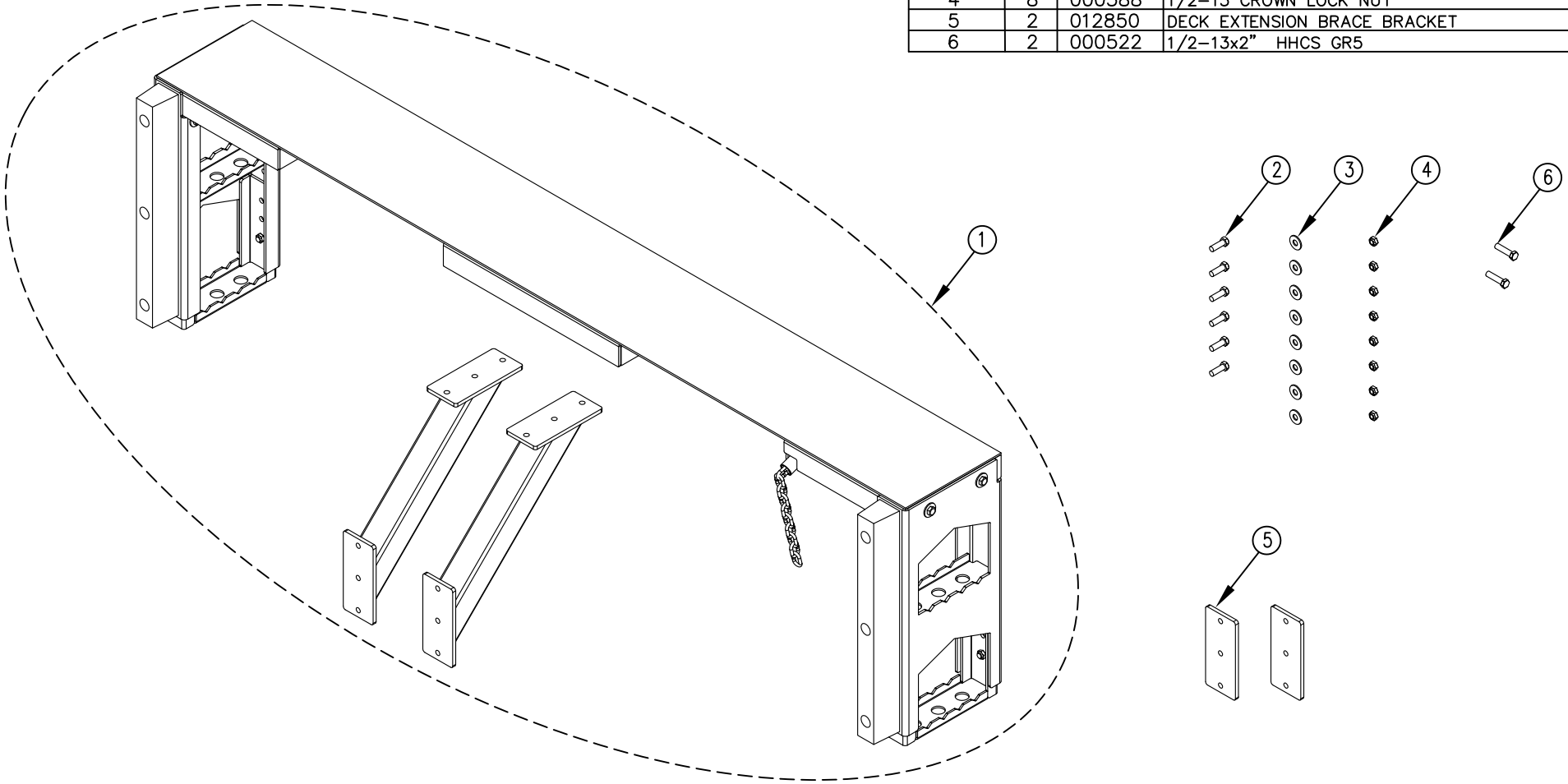



ITEM NO.	QTY.	PART NO.	DESCRIPTION
1	1	012971	DECK EXTENSION ASSEMBLY – HEAVY 100”
2	6	000608	1/2–13x1–1/2”HHCS GR5
3	8	000576	1/2” USS FLAT WASHER
4	8	000588	1/2–13 CROWN LOCK NUT
5	2	012850	DECK EXTENSION BRACE BRACKET
6	2	000522	1/2–13x2” HHCS GR5



REV.	DATE	CHANGE RECORD	BY	APPVD	ECN	THIRD ANGLE PROJECTION	FILENAME:	SYMBOLY PER ANSI Y14.5	NOTES:	WOODBINE MFG. CO. BUS BROWN DRIVE WOODBINE, IOWA 51579																																
B	12/16/16	REMOVED (2) 608; ADDED (2) 522	AAS	1755		<table border="1"> <tr> <td>DECIMAL</td> <td>2PLC</td> <td>3PLC</td> </tr> <tr> <td>MACHINE SAW, DRILL</td> <td>.030</td> <td>.015</td> </tr> <tr> <td>SHEAR, PUNCH FORM</td> <td>.060</td> <td>.030</td> </tr> <tr> <td>TORCH, WELDING ROUGH CAST</td> <td>.090</td> <td>.060</td> </tr> <tr> <td>DRAFT 2°</td> <td>ANGULAR ±1°</td> <td></td> </tr> </table>	DECIMAL	2PLC	3PLC	MACHINE SAW, DRILL	.030	.015	SHEAR, PUNCH FORM	.060	.030	TORCH, WELDING ROUGH CAST	.090	.060	DRAFT 2°	ANGULAR ±1°		<table border="1"> <tr> <td>DRAWN BY.</td> <td>JCB</td> </tr> <tr> <td>DRAWN/DATE</td> <td>3/13/14</td> </tr> <tr> <td>APPVD/DATE</td> <td></td> </tr> <tr> <td>SALES CATEGORY</td> <td></td> </tr> </table>	DRAWN BY.	JCB	DRAWN/DATE	3/13/14	APPVD/DATE		SALES CATEGORY		<table border="1"> <tr> <td>TITLE</td> <td>REPL. 100” HEAVY BED EXTENSION (TKT)</td> </tr> <tr> <td>PRODUCT LINE</td> <td></td> </tr> <tr> <td>SCALE</td> <td>1:14</td> </tr> <tr> <td>FIN. WT.</td> <td></td> </tr> <tr> <td>PART NO.</td> <td>12945</td> </tr> </table>	TITLE	REPL. 100” HEAVY BED EXTENSION (TKT)	PRODUCT LINE		SCALE	1:14	FIN. WT.		PART NO.	12945	<p>THE INFORMATION HERE IS CONFIDENTIAL AND MUST NOT BE USED IN ANYWAY DETRIMENTAL TO THE INTEREST OF WOODBINE MFG.</p> 
DECIMAL	2PLC	3PLC																																								
MACHINE SAW, DRILL	.030	.015																																								
SHEAR, PUNCH FORM	.060	.030																																								
TORCH, WELDING ROUGH CAST	.090	.060																																								
DRAFT 2°	ANGULAR ±1°																																									
DRAWN BY.	JCB																																									
DRAWN/DATE	3/13/14																																									
APPVD/DATE																																										
SALES CATEGORY																																										
TITLE	REPL. 100” HEAVY BED EXTENSION (TKT)																																									
PRODUCT LINE																																										
SCALE	1:14																																									
FIN. WT.																																										
PART NO.	12945																																									
A.1	1/15/15	CHANGED PN 12831 TO 12971	JCB																																							
A	3/13/14	RELEASED TO PRODUCTION	JCB	1075																																						