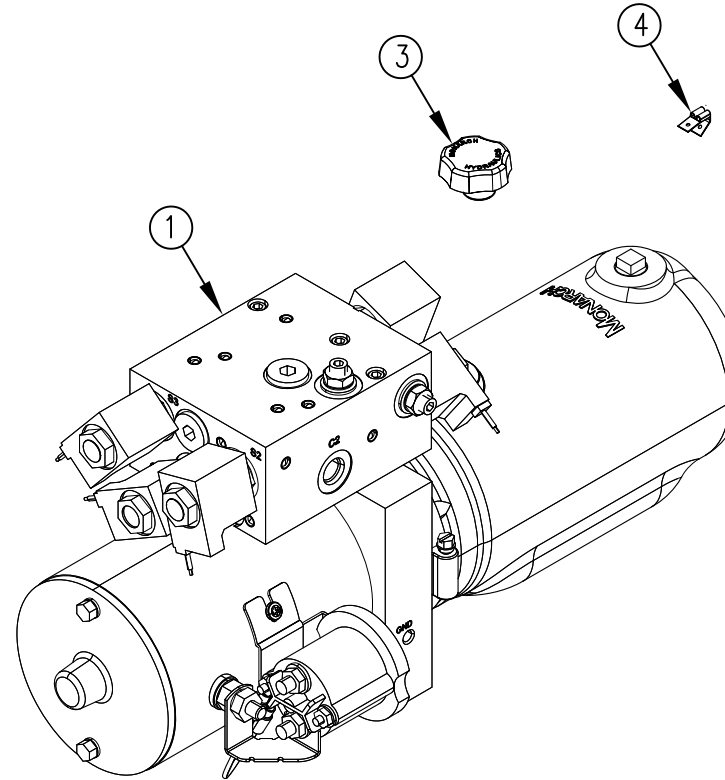



ITEM NO.	QTY.	PART NO.	DESCRIPTION
1	1	010322	MONARCH UNIT3552-0114 (CANTILEVER)
2	0.475 GAL	009034	HYDRAULIC OIL
3	1	010865*	PLASTIC VENT PLUG (CANTILEVER)
4	1	015386	.25" THREE WAY TERMINAL SPLITTER
5	1	095113	CANTILEVER POWER UNIT REPLACEMENT INSTR.

*ACCOUNTING-DO NOT USE FOR B.O.M.



REV.	DATE	CHANGE RECORD	BY	APPVD	ECN	THIRD ANGLE PROJECTION	FILENAME:	SYMBOLY PER ANSI Y14.5	NOTES:	WOODBINE MFG. CO. BUS BROWN DRIVE WOODBINE, IOWA 51579		
C	3/28/18	ADDED 015386	CDM		2019	DECIMAL MACHINE SAW,DRILL				 THE INFORMATION HERE IS CONFIDENTIAL AND MUST NOT BE USED IN ANYWAY DETRIMENTAL TO THE INTEREST OF WOODBINE MFG.		
B	1/27/14	ADDED 95113	JCB		1043	SHEAR, PUNCH FORM						
A	6/30/11	RELEASED TO PRODUCTION	JCB		450	TORCH, WELDING ROUGH CAST						
						DRAFT 2"	ANGULAR ±1"	SALES CATEGORY	PRODUCT LINE		SCALE 1: 4	FIN. WT.