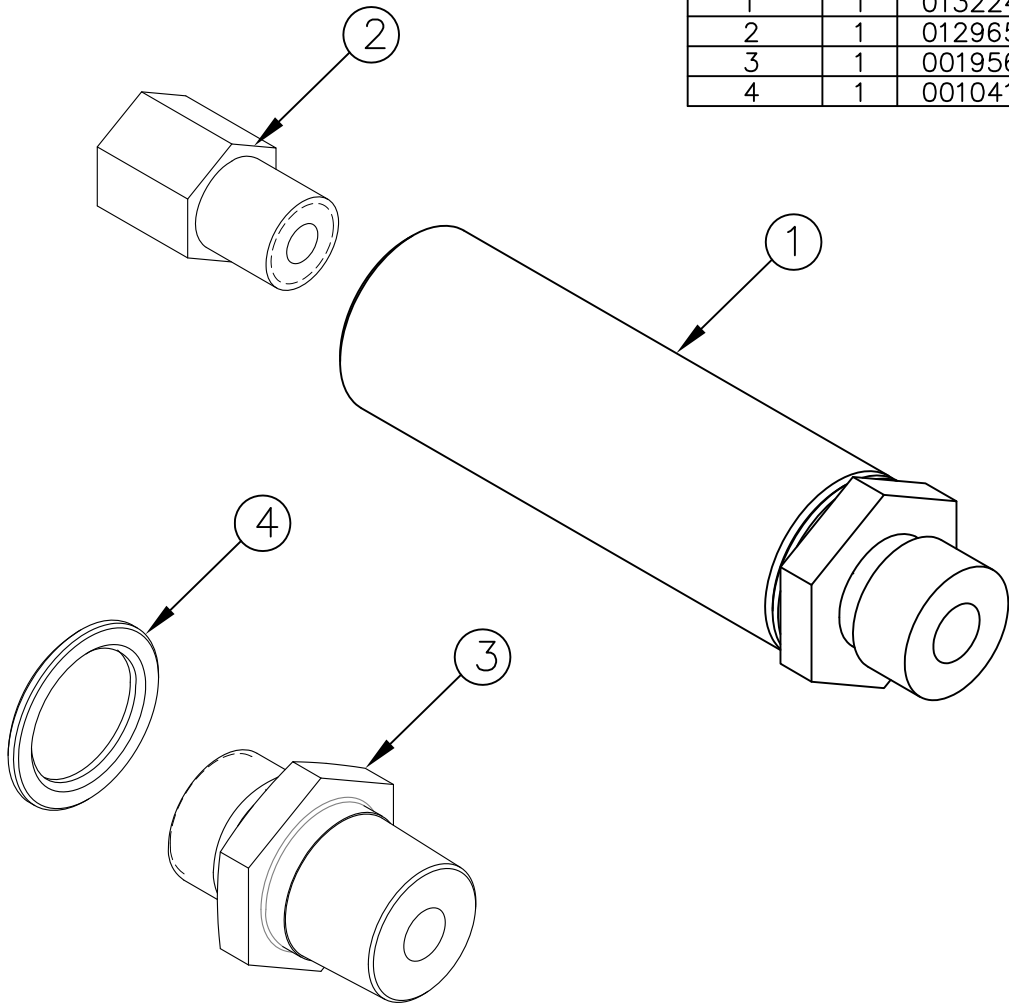



ITEM NO.	QTY.	PART NO.	DESCRIPTION
1	1	013224	FLOW CONTROL COM(#6 MORB x #4FORB x.078)
2	1	012965	#4 MORB TO #6 FEMALE NPT ADAPTOR
3	1	001956	3/8" FLOW CONTROL ADAPTER
4	1	001041	.56"x.88" ALUMINUM WASHER



REV.	DATE	CHANGE RECORD	BY	APPVD	ECN	THIRD ANGLE PROJECTION	FILENAME:	SYMBOLY PER ANSI Y14.5	NOTES:	WOODBINE MFG. CO. BUS BROWN DRIVE WOODBINE, IOWA 51579																				
B	11/12/13	ADDED (1) 012965, (1) 001956, AND (1) 001041	GDB		1004	<table border="1"> <tr> <td>DECIMAL</td> <td>2PLC</td> <td>3PLC</td> </tr> <tr> <td>MACHINE SAW, DRILL</td> <td>.030</td> <td>.015</td> </tr> <tr> <td>SHEAR, PUNCH FORM</td> <td>.060</td> <td>.030</td> </tr> <tr> <td>TORCH, WELDING ROUGH CAST</td> <td>.090</td> <td>.060</td> </tr> <tr> <td>DRAFT 2'</td> <td>ANGULAR ±1'</td> <td></td> </tr> </table>	DECIMAL	2PLC	3PLC	MACHINE SAW, DRILL	.030	.015	SHEAR, PUNCH FORM	.060	.030	TORCH, WELDING ROUGH CAST	.090	.060	DRAFT 2'	ANGULAR ±1'		<table border="1"> <tr> <td>DRAWN BY.</td> <td>GDB</td> </tr> <tr> <td>DRAWN/DATE</td> <td>2/22/13</td> </tr> <tr> <td>APPVD/DATE</td> <td></td> </tr> </table>	DRAWN BY.	GDB	DRAWN/DATE	2/22/13	APPVD/DATE			<p>712-647-2050</p> 
DECIMAL	2PLC	3PLC																												
MACHINE SAW, DRILL	.030	.015																												
SHEAR, PUNCH FORM	.060	.030																												
TORCH, WELDING ROUGH CAST	.090	.060																												
DRAFT 2'	ANGULAR ±1'																													
DRAWN BY.	GDB																													
DRAWN/DATE	2/22/13																													
APPVD/DATE																														
A	2/22/13	RELEASED TO PRODUCTION	GDB		848					<p>THE INFORMATION HERE IS CONFIDENTIAL AND MUST NOT BE USED IN ANYWAY DETRIMENTAL TO THE INTEREST OF WOODBINE MFG.</p>																				
							SALES CATEGORY	PRODUCT LINE	SCALE	FIN. WT.	PART NO.																			
									N	0.4	012608																			