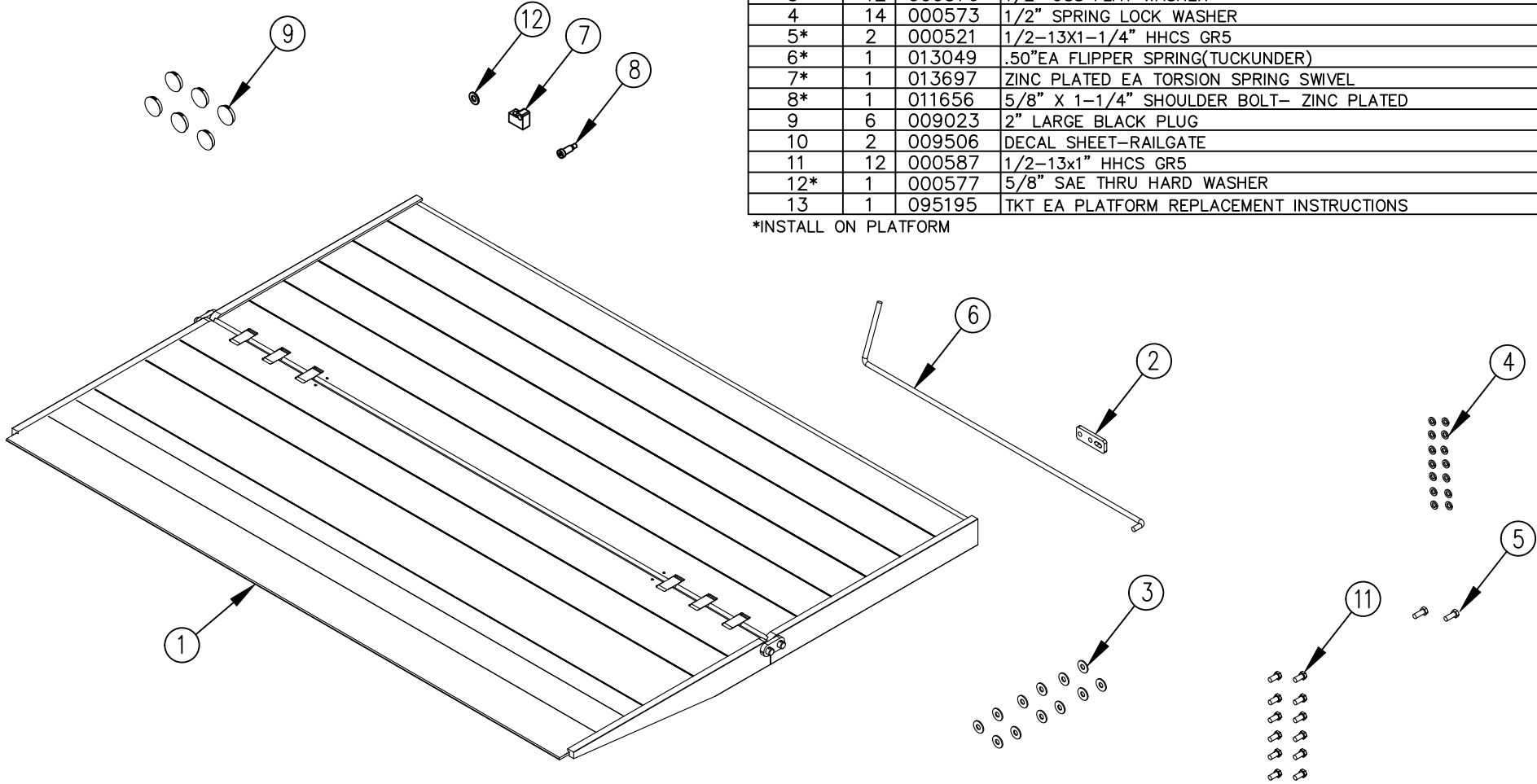
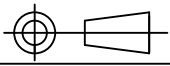



ITEM NO.	QTY.	PART NO.	DESCRIPTION
1	1	012817	60" EA TU PLATFORM
2*	1	013055	ZINC PLATED .38"X1.50X4"EA SPRING CAPTURE PLATE(TKT)
3	12	000576	1/2" USS FLAT WASHER
4	14	000573	1/2" SPRING LOCK WASHER
5*	2	000521	1/2-13X1-1/4" HHCS GR5
6*	1	013049	.50"EA FLIPPER SPRING(TUCKUNDER)
7*	1	013697	ZINC PLATED EA TORSION SPRING SWIVEL
8*	1	011656	5/8" X 1-1/4" SHOULDER BOLT- ZINC PLATED
9	6	009023	2" LARGE BLACK PLUG
10	2	009506	DECAL SHEET-RAILGATE
11	12	000587	1/2-13x1" HHCS GR5
12*	1	000577	5/8" SAE THRU HARD WASHER
13	1	095195	TKT EA PLATFORM REPLACEMENT INSTRUCTIONS

*INSTALL ON PLATFORM



NOTE: APPLY DECALS FROM 9506 SHEETS SAME AS PRODUCTION

D	2/19/20	ADDED (1) 577, 11656 WAS 13057	CDM	2432	THIRD ANGLE PROJECTION  UNLESS OTHERWISE SPECIFIED DIMENSIONS ARE IN INCHES TOLERANCES: FRACTIONAL ±1/16 ANGULAR MACH ±1° BEND ±1° TWO PLACE DECIMAL ±0.030 THREE PLACE DECIMAL ±0.010	DRAWN BY JCB DRAWN/DATE 5/23/14 APPVD/DATE - DO NOT SCALE DRAWING	NOTES: _____ _____ _____ TITLE REPL. 60"X80" AL. PLATFORM (TUCKUNDER)	WOODBINE MFG. CO. BUS BROWN DRIVE WOODBINE, IOWA 51579 		
C	4/5/16	UPDATED BOM TO MATCH PRODUCTION	GDB	1600		SCALE	1:16	WEIGHT	-	PART NO.
B.1	3/25/15	ADDED (6) 9023 TO MATCH PRODUCTION	GDB							
B	3/20/15	ADDED 095168, AND (2) 011527, 013049 WAS 011615	GDB	1348						
A	5/23/14	RELEASED TO PRODUCTION	JCB	1075						
REV.	DATE	CHANGE RECORD	BY	APPVD	ECN	THE INFORMATION HERE IS CONFIDENTIAL AND MUST NOT BE USED IN ANY WAY DETRIMENTAL TO THE INTEREST OF WOODBINE MFG.				