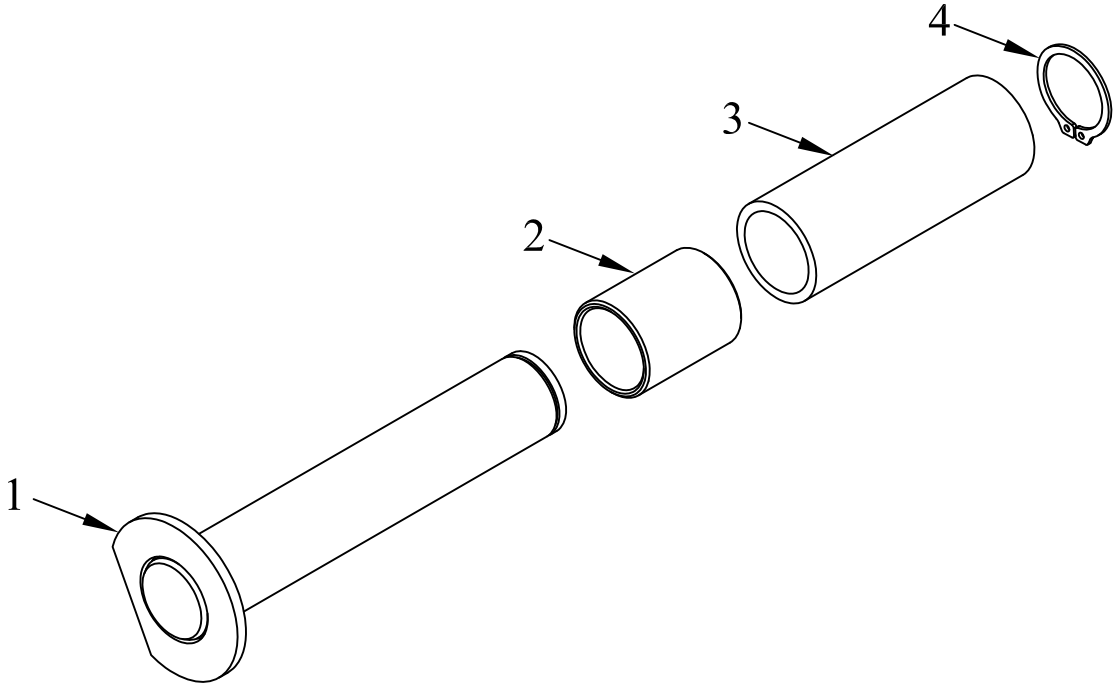


ITEM NO.	QTY.	PART NO.	DESCRIPTION
1	1	1334	1"DIA.x5.75" PIN w/WELDED LUG
2	1	1340	1"I.D.x1.19"x1.5" BRONZE BUSHING
3	1	1457	11GA. WA.x1.25"O.D.x3.44" SPACER
4	1	1406	1"EXTERNAL SNAP RING(5100-1.00)



				THIRD ANGLE PROJECTION 			FILENAME:		WOODBINE MFG. CO. BUS BROWN DRIVE WOODBINE, IOWA 51579					
				DECIMAL 2PLC 3PLC			SYMBOLY PER ANSI Y14.5		NOTES:					
				MACHINE SAW, DRILL .030 .015			DRAWN BY. DJR		712-647-2050					
				SHEAR, PUNCH FORM .060 .030			DRAWN/DATE 7/25/05		THE INFORMATION HERE IS CONFIDENTIAL AND MUST NOT BE USED IN ANYWAY DETRIMENTAL TO THE INTEREST OF WOODBINE MFG.					
				TORCH, WELDING ROUGH CAST .090 .060			APPVD/DATE		TITLE 650 PIN KIT(LOWER S-ARM)					
REV.	DATE	CHANGE RECORD			BY	APPVD	ECN	DRAFT 2'	ANGULAR ±1'	SALES CATEGORY 45	PRODUCT LINE 8900	SCALE N	FIN. WT.	PART NO. 2208