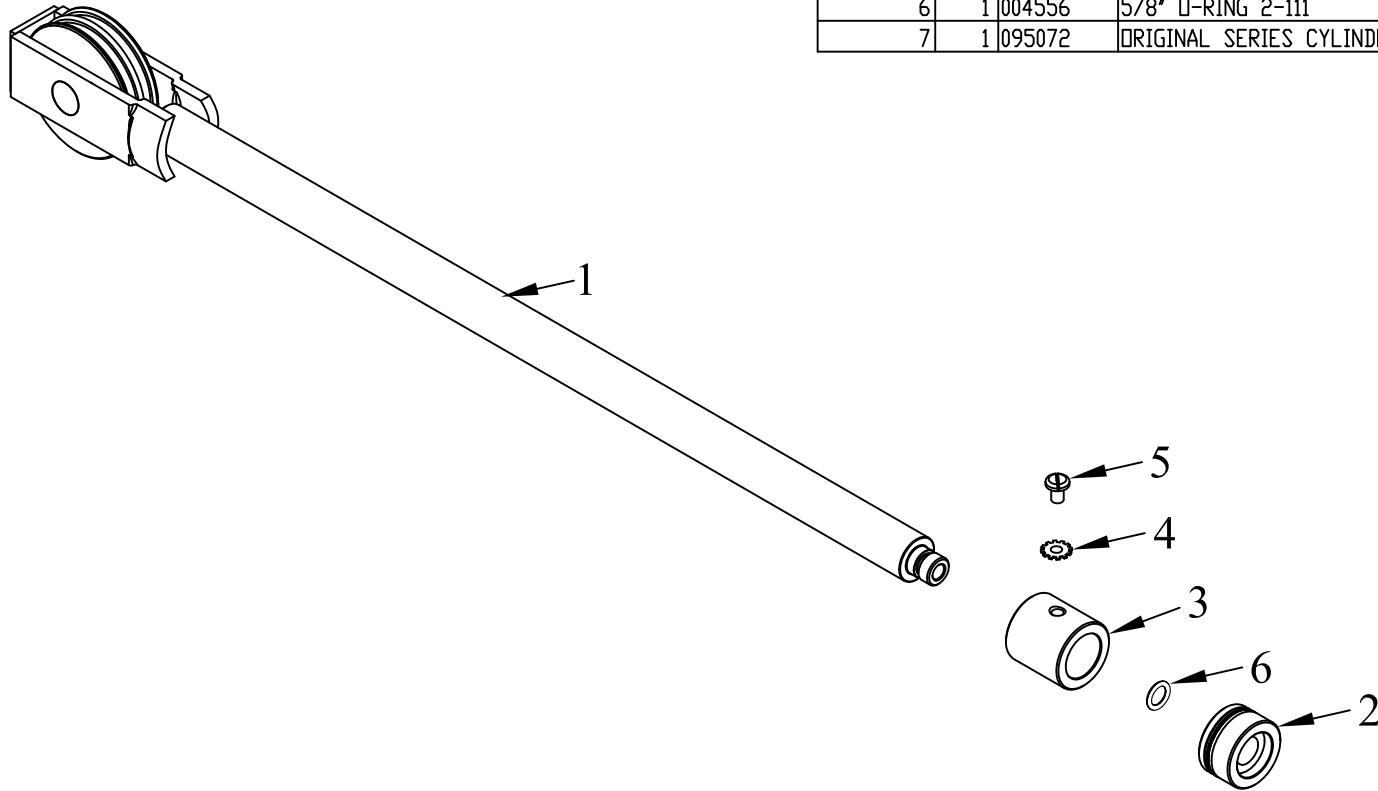


ITEM NO.	QTY.	PART NO.	DESCRIPTION
1	1	003230	1" DIA X 23.25" CYL SHAFT W/PULLEY(1040)
2	1	007447	1-1/2" CYL. PIST w/O-RINGS(1034-1040)
3	1	007450	1"x1.50"x1.50" ALUM GUIDE BUSHING#1
4	1	000570	1/4" EXTERNAL STAR WASHER
5	1	000502	1/4-20x3/8" SC PANHD MS
6	1	004556	5/8" O-RING 2-111
7	1	095072	ORIGINAL SERIES CYLINDER SEAL REPLACEMENT INSTR.



			THIRD ANGLE PROJECTION			FILENAME:			WOODBINE MFG. CO. BUS BROWN DRIVE WOODBINE, IOWA 51579																	
						SYMBOLY PER ANSI Y14.5			NOTES:																	
			<table border="1"> <tr> <th>DECIMAL</th> <th>2PLC</th> <th>3PLC</th> </tr> <tr> <td>MACHINE SAW, DRILL</td> <td>.030</td> <td>.015</td> </tr> <tr> <td>SHEAR, PUNCH FORM</td> <td>.060</td> <td>.030</td> </tr> <tr> <td>TORCH, WELDING ROUGH CAST</td> <td>.090</td> <td>.060</td> </tr> </table>			DECIMAL	2PLC	3PLC	MACHINE SAW, DRILL	.030	.015	SHEAR, PUNCH FORM	.060	.030	TORCH, WELDING ROUGH CAST	.090	.060	DRAWN BY: DJR			DRAWN/DATE: 12/16/03			712-647-2050		
DECIMAL	2PLC	3PLC																								
MACHINE SAW, DRILL	.030	.015																								
SHEAR, PUNCH FORM	.060	.030																								
TORCH, WELDING ROUGH CAST	.090	.060																								
						APPVD/DATE																				
						TITLE CYLINDER SHAFT w/PULLEY ASSEMBLY(1040)			<small>THE INFORMATION HERE IS CONFIDENTIAL AND MUST NOT BE USED IN ANYWAY DETRIMENTAL TO THE INTEREST OF WOODBINE MFG.</small>																	
B	1/12/11	ADDED (1) 4556 AND (1) 95072; REPLACED 1139 WITH INDIVIDUAL PARTS			JCB		400																			
REV.	DATE	CHANGE RECORD			BY	APPVD	ECN	DRAFT 2*	ANGULAR ±1*	SALES CATEGORY	PRODUCT LINE	SCALE N	FIN. WT.	PART NO. 3222												