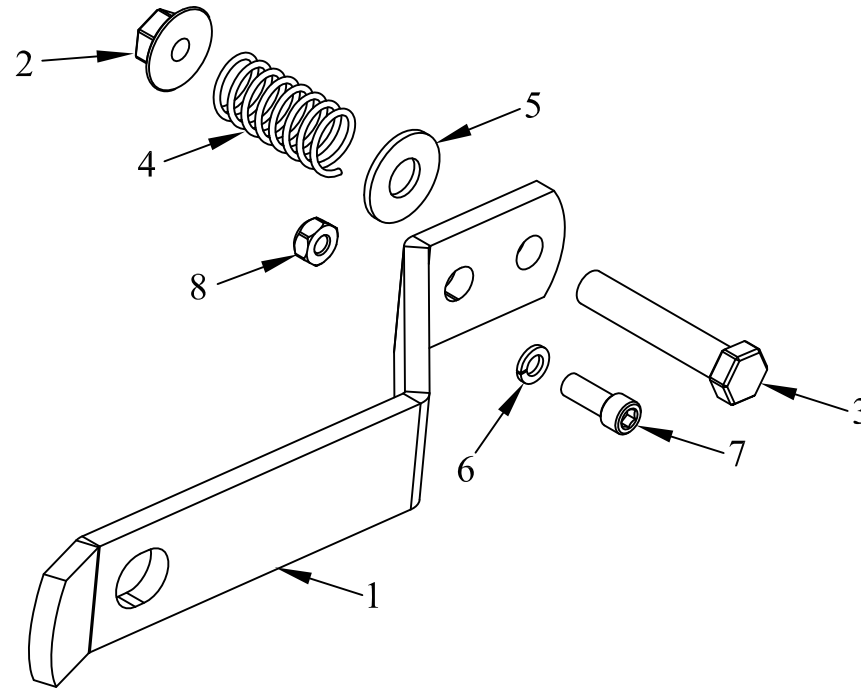


ITEM NO.	QTY.	PART NO.	DESCRIPTION
1	1	2014	G2 LATCH
2	1	553	3/8-16 LARGE FLANGE LOCK NUT
3	1	516	3/8-16x2" HHCS GR5
4	1	7644	G2 SPRING FOR LATCH
5	1	575	3/8" USS FLAT WASHER
6	1	625	1/4" S.S. HIGH COLLAR LOCKWASHER
7	1	7663	G2 UPRIGHT LATCH PIN
8	1	532	1/4"-20 USS CROWN LOCK NUT
9	1	95075	G2 LATCH REPLACEMENT/ADJUSTMENT INSTRUCTIONS



						THIRD ANGLE PROJECTION	FILENAME:	WOODBINE MFG. CO. BUS BROWN DRIVE WOODBINE, IOWA 51579				
							SYMBOLY PER ANSI Y14.5	NOTES:				
						DECIMAL 2PLC 3PLC	DRAWN BY. DJR					
						MACHINE SAW, DRILL .030 .015	DRAWN/DATE 6/23/05	712-647-2050				
						SHEAR, PUNCH FORM .060 .030	APPVD/DATE	THE INFORMATION HERE IS CONFIDENTIAL AND MUST NOT BE USED IN ANYWAY DETRIMENTAL TO THE INTEREST OF WOODBINE MFG.				
B	1/25/11	ADDED 95075	JCB	409		TORCH, WELDING ROUGH CAST .090 .060	TITLE	G2 REPLACEMENT LATCH KIT (40/42)				
REV.	DATE	CHANGE RECORD	BY	APPVD	ECN	DRAFT 2'	ANGULAR ±1'	SALES CATEGORY	PRODUCT LINE	SCALE N	FIN. WT.	PART NO. 2017