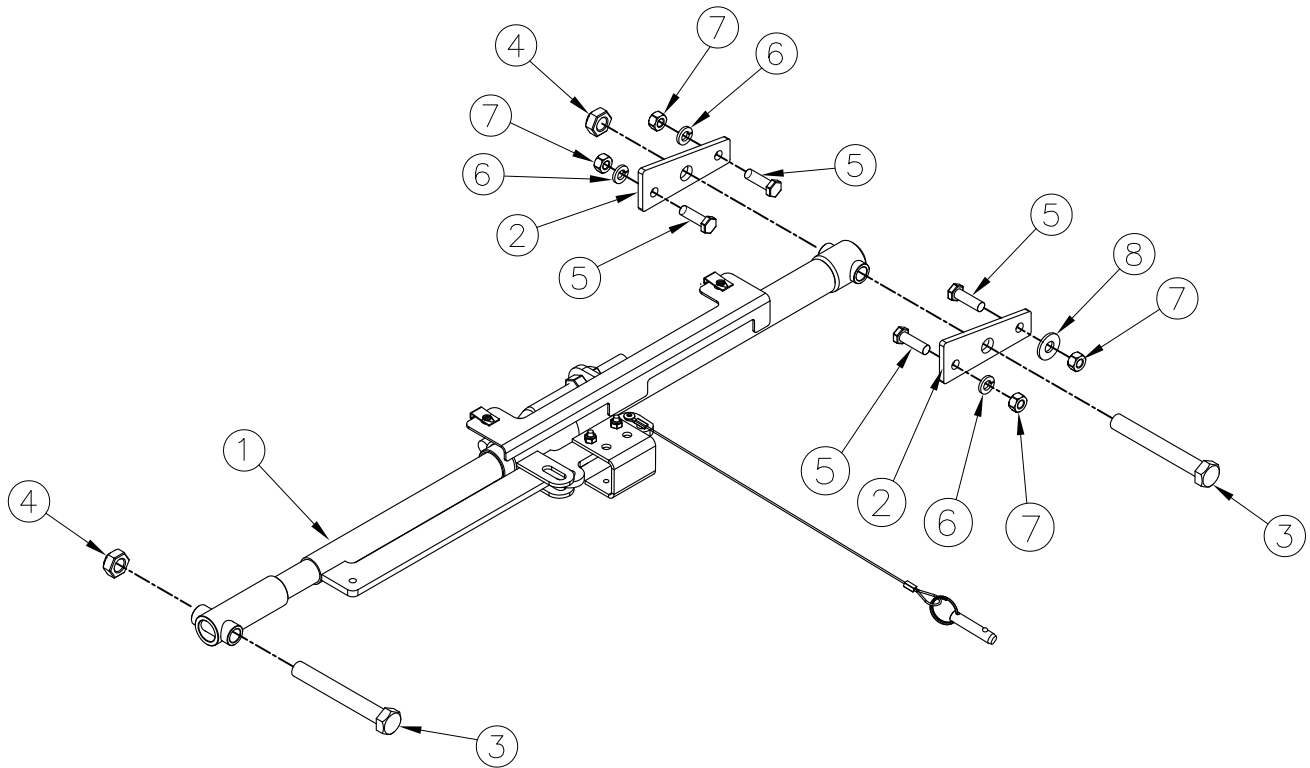


ITEM NO.	QTY.	PART NO.	DESCRIPTION
1	1	010630	CANTILEVER PLATFORM SUPPORT ARM (PASSENGER)
2	2	010027	PLATFORM PLATE
3	2	010494	1/2"-13 X 3-3/4" HHCS GR 8, PLATED
4	2	000588	1/2"-13 CROWN LOCK NUT
5	4	010502	5/16"-18 X 1" HHCS, GR 5, ZP
6	3	000584	5/16" SPRING LOCK WASHER, ZP
7	4	000554	5/16"-18 HEX NUT, ZP
8	1	000574	5/16"-18 USS FLAT WASHER



				THIRD ANGLE PROJECTION			FILENAME:		WOODBINE MFG. CO. BUS BROWN DRIVE WOODBINE, IOWA 51579																
							SYMBOLY PER ANSI Y14.5		NOTES:																
				<table border="1"> <thead> <tr> <th>DECIMAL</th> <th>2PLC</th> <th>3PLC</th> </tr> </thead> <tbody> <tr> <td>MACHINE SAW, DRILL</td> <td>.030</td> <td>.015</td> </tr> <tr> <td>SHEAR, PUNCH FORM</td> <td>.060</td> <td>.030</td> </tr> <tr> <td>TORCH, WELDING ROUGH CAST</td> <td>.090</td> <td>.060</td> </tr> </tbody> </table>			DECIMAL	2PLC	3PLC	MACHINE SAW, DRILL	.030	.015	SHEAR, PUNCH FORM	.060	.030	TORCH, WELDING ROUGH CAST	.090	.060	DRAWN BY: JCB				812-647-2050		
DECIMAL	2PLC	3PLC																							
MACHINE SAW, DRILL	.030	.015																							
SHEAR, PUNCH FORM	.060	.030																							
TORCH, WELDING ROUGH CAST	.090	.060																							
							DRAWN/DATE 7/5/11		THE INFORMATION HERE IS CONFIDENTIAL AND MUST NOT BE USED IN ANYWAY DETRIMENTAL TO THE INTEREST OF WOODBINE MFG.																
A 7/5/11 RELEASED TO PRODUCTION				JCB 450			APPVD/DATE		TITLE REPL. CANTILEVER PLATFORM SUPPORT ARM (PASSENGER)																
REV. DATE CHANGE RECORD				BY APPVD ECN			SALES CATEGORY		PRODUCT LINE	SCALE 1:6	FIN. WT.	PART NO. 11259													