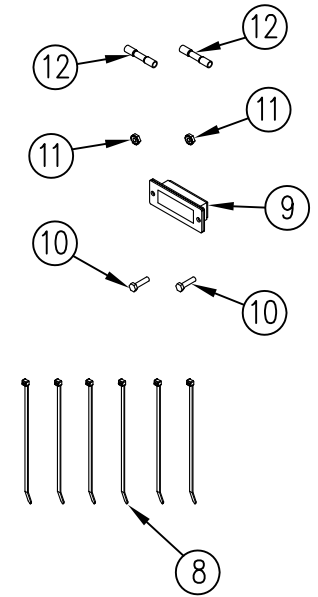
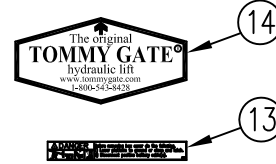
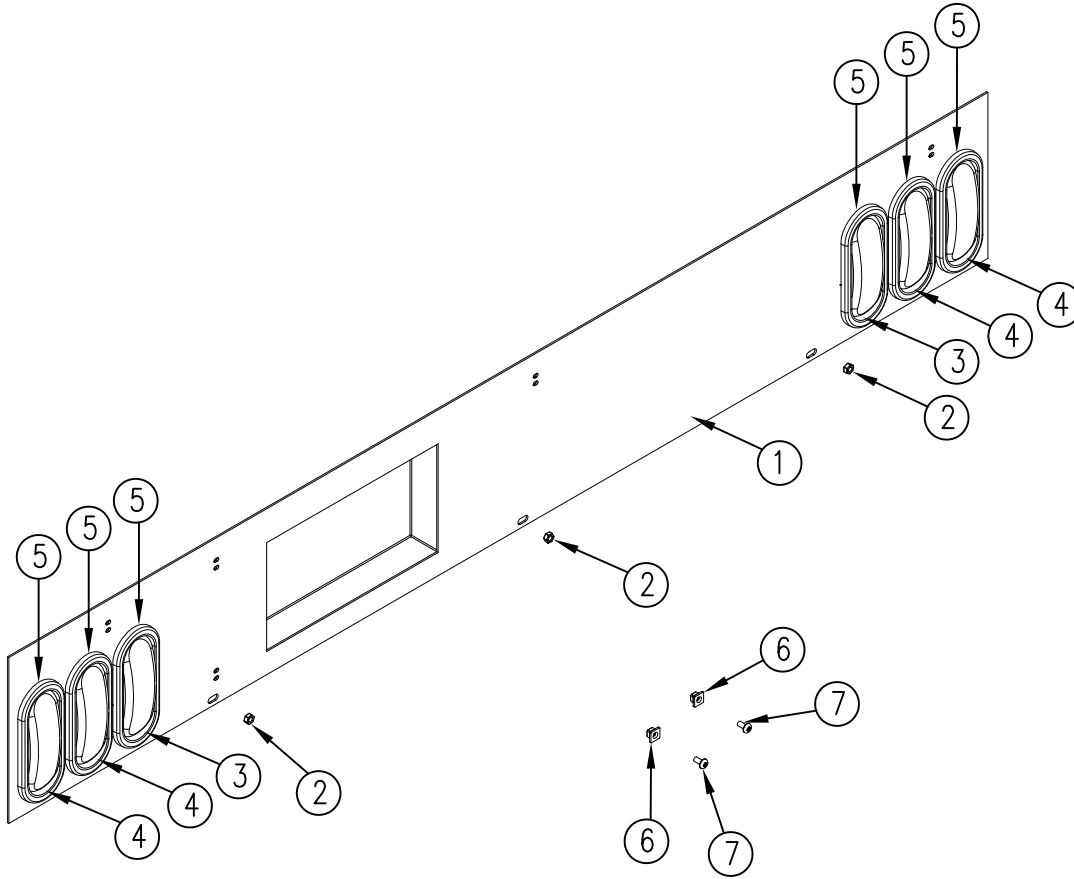



ITEM NO.	QTY.	PART NO.	DESCRIPTION
1	1	008291	79 STEEL RAIL BOX COVER WELDMENT (N)
2	3	000631	5/16-18 SERRATED FLANGENUT (WHIZLOCK)
3	2	004042	REC. OVAL CLEAR LIGHT ONLY-ECONO 60(12VDC)
4	4	004043	REC. OVAL RED LIGHT ONLY-ECONO 60 (12VDC)
5	6	004041	BLACK GROMMET - ECONO 60
6	2	000628	PLASTIC INSERT NUT FOR LICENSE MOUNT
7	2	000620	1/4-20x1/2" PN HD TY FS(G2)
8	6	009077	3/16"x7-1/2" CABLE TIE
9	1	003050	LICENSE PLATE LIGHT (H1)
10	2	001485	10-32 X 3/4" HEX HEAD BOLT
11	2	000556	10-32 KEPS NUT
12	2	009089	16-14 HEAT SHRINK BUTT CONNECTOR
13	1	009556	BOX COVER DANGER DECAL
14	1	003968	LOGO-"ORIGINAL TOMMY GATE" DECAL



REV.	DATE	CHANGE RECORD	BY	APPVD	ECN	THIRD ANGLE PROJECTION	FILENAME:	SYMBOLY PER ANSI Y14.5	NOTES:	WOODBINE MFG. CO. BUS BROWN DRIVE WOODBINE, IOWA 51579 712-647-2050			
C	1/18/13	REMOVED (6) 6720	JCB		823	DECIMAL MACHINE SAW,DRILL	008291	.030 .015		 THE INFORMATION HERE IS CONFIDENTIAL AND MUST NOT BE USED IN ANYWAY DETRIMENTAL TO THE INTEREST OF WOODBINE MFG.			
B	2/6/12	ADDED 9556 & 3968; REPLACED 1111 WITH (2) 620 & (2) 628; REPLACED 4036 WITH (1) 3050, (2) 1485, (2) 556, (2)9089	JCB		386	SHEAR, PUNCH FORM	003050	.060 .030					
A	8/29/07	DRAWN IN AUTOCAD	JCB	KGJ		TORCH, WELDING ROUGH CAST	001485	.090 .060					
						DRAFT 2'	004041	ANGULAR ±1'	SALES CATEGORY	PRODUCT LINE	SCALE 1:10	FIN. WT.	PART NO. 4157