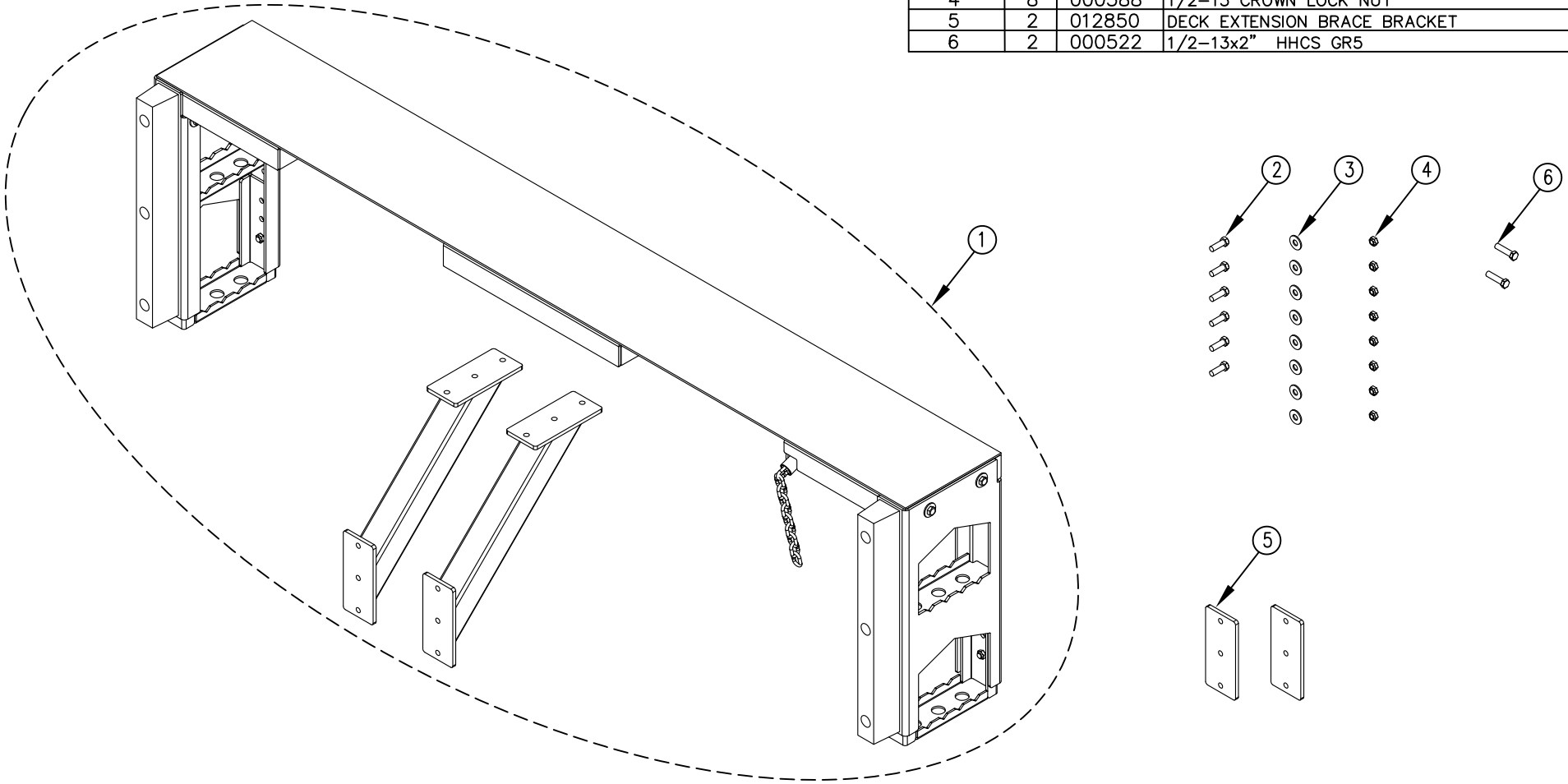


ITEM NO.	QTY.	PART NO.	DESCRIPTION
1	1	012970	DECK EXTENSION ASSEMBLY – STANDARD 100"
2	6	000608	1/2–13x1–1/2"HHCS GR5
3	8	000576	1/2" USS FLAT WASHER
4	8	000588	1/2–13 CROWN LOCK NUT
5	2	012850	DECK EXTENSION BRACE BRACKET
6	2	000522	1/2–13x2" HHCS GR5



REV.	DATE	CHANGE RECORD	BY	APPVD	ECN	DRAFT	ANGULAR	SALES CATEGORY	PRODUCT LINE	SCALE	FIN. WT.	PART NO.
B	12/16/16	REMOVED (2) 608; ADDED (2) 522	AAS		1755	2'	±1°			1:14		12944
A	3/13/14	RELEASED TO PRODUCTION	JCB		1075							
						THIRD ANGLE PROJECTION		FILENAME:				
								SYMBOLY PER ANSI Y14.5		NOTES:		
						DECIMAL 2PLC 3PLC MACHINE .030 .015 SAW,DRILL		DRAWN BY:				
						SHEAR, .060 .030 PUNCH FORM		DRAWN/DATE				
						TORCH, .090 .060 WELDING ROUGH CAST		APPVD/DATE				
								TITLE		REPL. 100" STANDARD BED EXTENSION (TKT)		
								FIN. WT.				
								SCALE				
								1:14				
								PART NO.				

WOODBINE MFG. CO.
 BUS BROWN DRIVE
 WOODBINE, IOWA 51579



THE INFORMATION HERE IS CONFIDENTIAL
 AND MUST NOT BE USED IN ANYWAY
 DETRIMENTAL TO THE INTEREST OF
 WOODBINE MFG.