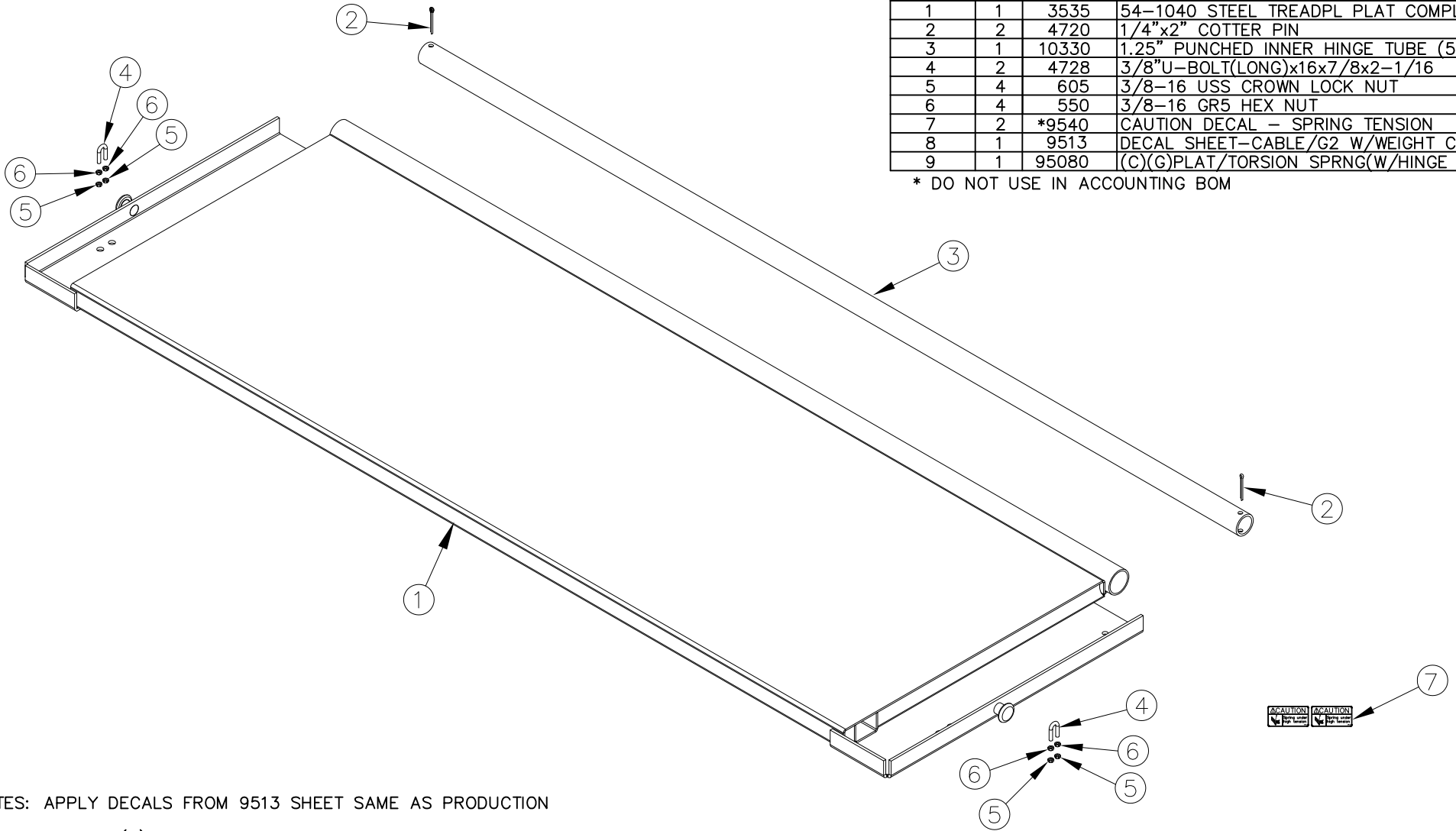


ITEM NO.	QTY.	PART NO.	DESCRIPTION
1	1	3535	54-1040 STEEL TREADPL PLAT COMPL
2	2	4720	1/4"x2" COTTER PIN
3	1	10330	1.25" PUNCHED INNER HINGE TUBE (54)
4	2	4728	3/8"U-BOLT(LONG)x16x7/8x2-1/16
5	4	605	3/8-16 USS CROWN LOCK NUT
6	4	550	3/8-16 GR5 HEX NUT
7	2	*9540	CAUTION DECAL - SPRING TENSION
8	1	9513	DECAL SHEET-CABLE/G2 W/WEIGHT CAP.
9	1	95080	(C)(G)PLAT/TORSION SPRNG(W/HINGE TUBE)


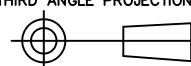
* DO NOT USE IN ACCOUNTING BOM



NOTES: APPLY DECALS FROM 9513 SHEET SAME AS PRODUCTION

SEND (2) 9540 LOOSE



REV.	DATE	CHANGE RECORD	BY	APPVD	ECN	DRAFT	ANGULAR	SALES CATEGORY	PRODUCT LINE	SCALE	FIN. WT.	PART NO.
						2'	±1°			N		1650
C	8/26/22	ADDED 95080, 9513 AND 9540	AAS		2780							
B	10/12/10	REPLACED 6401 WITH 10330; REPLACED 4727 WITH 4728	JCB		276							
						THIRD ANGLE PROJECTION		FILENAME:		WOODBINE MFG. CO. BUS BROWN DRIVE WOODBINE, IOWA 51579  THE INFORMATION HERE IS CONFIDENTIAL AND MUST NOT BE USED IN ANYWAY DETRIMENTAL TO THE INTEREST OF WOODBINE MFG.		
								SYMBOLY PER ANSI Y14.5				
						DECIMAL 2PLC 3PLC MACHINE SAW, DRILL .030 .015 SHEAR, PUNCH FORM .060 .030 TORCH, WELDING ROUGH CAST .090 .060		DRAWN BY: DJR				
								DRAWN/DATE 10/4/04				
								APPVD/DATE		TITLE (54-1040) TP REPLACEMENT PLATFORM		