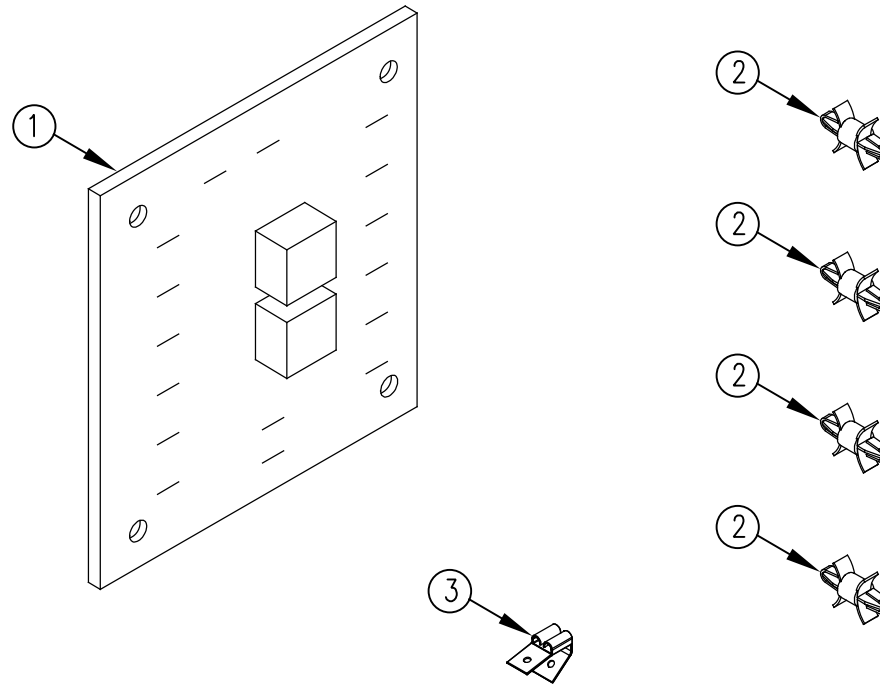


ITEM NO.	QTY.	PART NO.	DESCRIPTION
1	1	011085	CIRCUIT BOARD/RELAY (CANTILEVER)
2	4	011161	CIRCUIT BOARD SPACER/SUPPORT
3	1	015386	.25" THREE WAY TERMINAL SPLITTER
4	1	095246	CANTILEVER CIRCUIT BOARD WIRING INSTRUCTIONS



NOTE: 011085 TO BE PLACED IN STATIC SHIELDING BAG. OPEN END OF BAG TO BE FOLDED OVER AND SECURED WITH "ATTENTION ELECTROSTATIC SENSITIVE DEVICE" LABEL (BLACK TEXT ON YELLOW).

REV.	DATE	CHANGE RECORD	BY	APPVD	ECN	THIRD ANGLE PROJECTION	DRAWN BY	NOTES:	WOODBINE MFG. CO. BUS BROWN DRIVE WOODBINE, IOWA 51579
						 UNLESS OTHERWISE SPECIFIED	JCB		 TITLE TOMMY GATE REPAIR PART AND KIT DRAWING TEMPLATE
C	3/16/20	ADDED NOTE REGARDING ESD SHIELDING BAG	M-K	2449	DIMENSIONS ARE IN INCHES		8/2/11		
B	3/28/18	ADDED 015386 & 095246	CDM	2019	TOLERANCES:		-		
A	8/2/11	RELEASED TO PRODUCTION	JCB	450	FRACTIONAL ±1/16 ANGULAR MACH ±1° BEND ±1° TWO PLACE DECIMAL ±0.030 THREE PLACE DECIMAL ±0.010		DO NOT SCALE DRAWING		
						THE INFORMATION HERE IS CONFIDENTIAL AND MUST NOT BE USED IN ANY WAY DETRIMENTAL TO THE INTEREST OF WOODBINE MFG.		SCALE 1:2	WEIGHT -
									PART NO. 11449