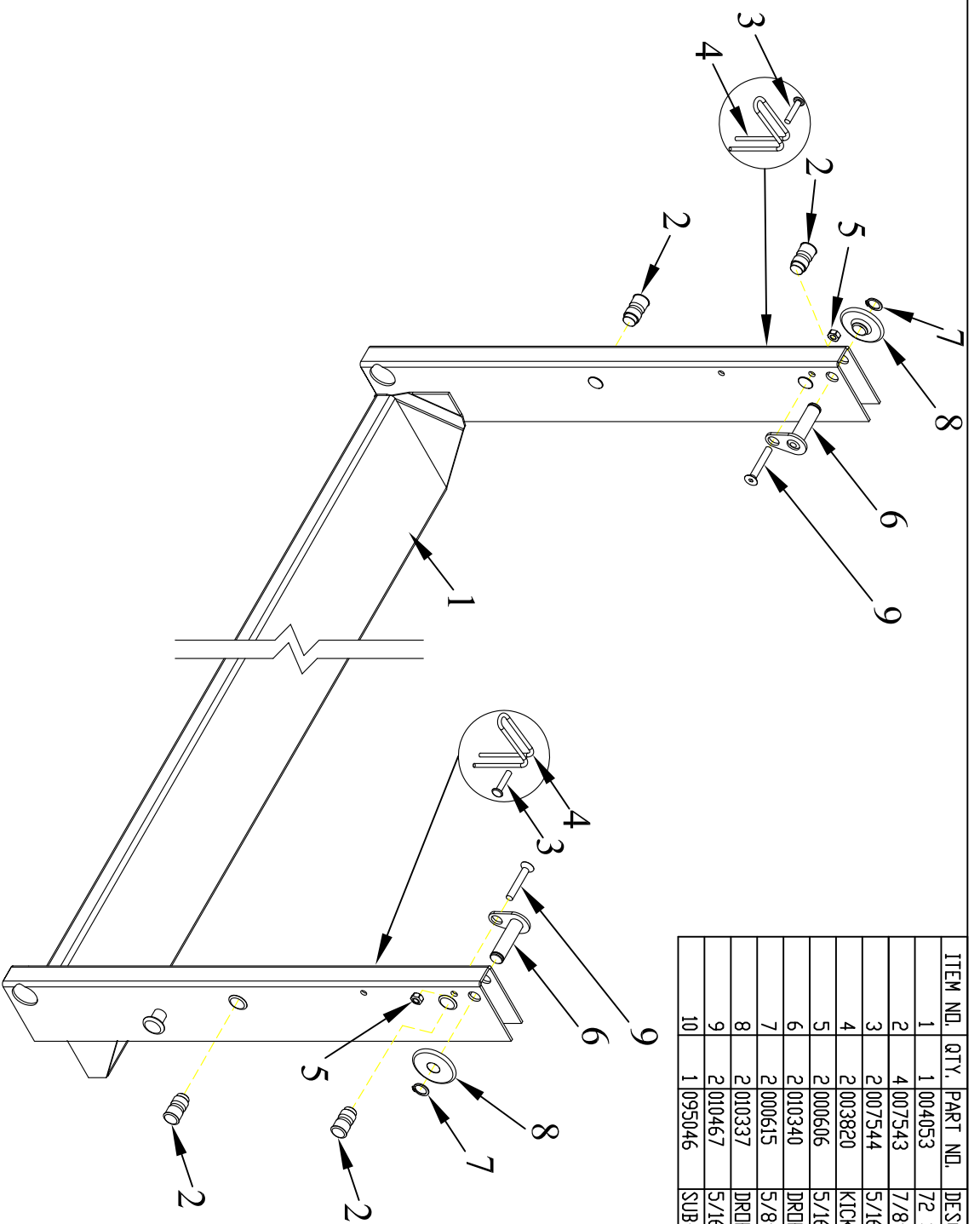


ITEM NO.	QTY.	PART NO.	DESCRIPTION
1	1	004053	72 SUB ASSEMBLY WELDMENT(NEW STYLE)
2	4	007543	7/8"x1-1/2" ARM PIN
3	2	007544	5/16"x1/1/2" F.H.RIVET
4	2	003820	KICKER SPRING
5	2	000606	5/16-18 USS CROWN LOCK NUT
6	2	010340	DRDP PIN ASSEMBLY
7	2	000615	5/8" EXTERNAL RETAINING RING-PLATED
8	2	010337	DRDP CHAIN MACHINED WASHER
9	2	010467	5/16-18 X 2" FLHD SHCS - ZINC
10	1	095046	SUB-ASSEMBLY REPLACEMENT - ORIGINAL SERIES



REV.		DATE	BY	APPVD	ECON	DRAFT	ANGULAR	FILENAME:	SYMBOLOLOGY PER	NOTES:	WOODBINE MFG. CO. BUS BROWN DRIVE WOODBINE, IOWA 51579
B	3/1/10	REMOVED PN4769 AND 3818: ADDED PN10340, 615, 10337, 10467, 7544, 3820, 606	MTC		270	2	±1"	DRAWN BY: DJR	ANSI Y14.5		712-647-2050 TOMMY GATE Hydraulic Inc.
C	3/3/11	REPLACED 95042 WITH 95046	JCB		415			DRAWN/DATE 11/22/04			
REV.		DATE	BY	APPVD	ECON	DRAFT	ANGULAR	TITLE	SCALE	FIN. WT.	PART NO.
						2	±1"	72 REPLACEMENT SUB ASSEMBLY(NEW STYLE)	N		4054

THIRD ANGLE PROJECTION

DECIMAL MACHINE SAW, DRILL .030 .015

SHEAR PUNCH FORM .060 .030

TORCH WELDING ROUGH CAST .090 .060

THE INFORMATION HERE IS CONFIDENTIAL AND MUST NOT BE USED IN ANYWAY DETRIMENTAL TO THE INTEREST OF WOODBINE MFG.