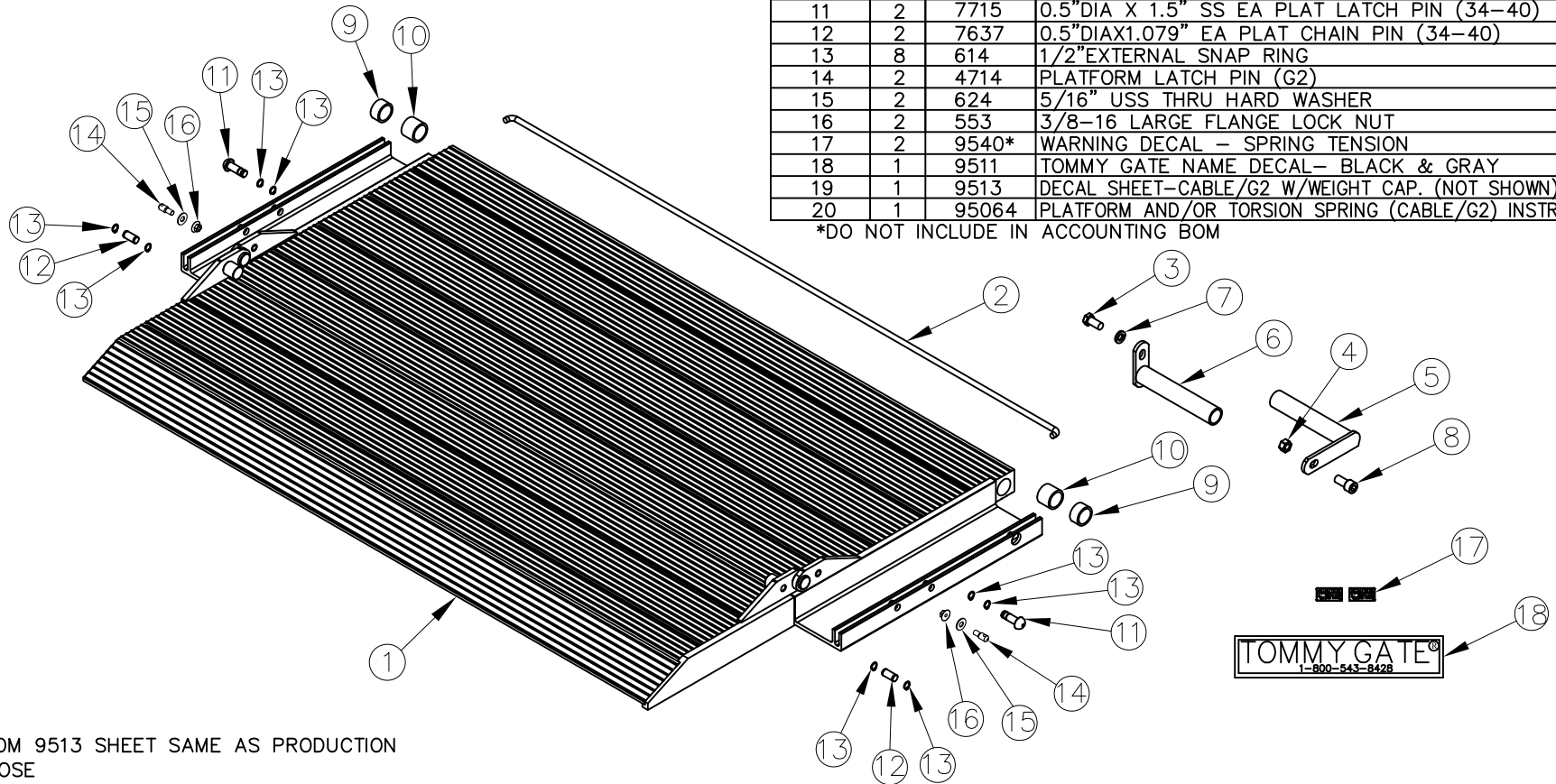



ITEM NO.	QTY.	PART NO.	DESCRIPTION
1	1	3408	64-F11 EA PLATFORM COMPLETE
2	1	7870	.38"x64.313" TORSION SPRING(64EA)
3	1	587	1/2-13x1" HHCS GR5
4	1	588	1/2-13 CROWN LOCK NUT
5	1	7709	HINGE TUBE SPRING HOLDER-40EA PASS
6	1	7778	HINGE TUBE SPRING HOLDER-EA DRIVER
7	1	573	1/2" SPRING LOCKWASHER
8	1	604	1/2-13x1"USS SOC HD CAP STAINLESS
9	2	8919	9/16"x1.38" I.D.x1.66" O.D.x.140" AL TUBING
10	2	8920	1.063"x1.38" I.D.x1.66" O.D.x.140" AL TUBING
11	2	7715	0.5"DIA X 1.5" SS EA PLAT LATCH PIN (34-40)
12	2	7637	0.5"DIA X 1.079" EA PLAT CHAIN PIN (34-40)
13	8	614	1/2"EXTERNAL SNAP RING
14	2	4714	PLATFORM LATCH PIN (G2)
15	2	624	5/16" USS THRU HARD WASHER
16	2	553	3/8-16 LARGE FLANGE LOCK NUT
17	2	9540*	WARNING DECAL - SPRING TENSION
18	1	9511	TOMMY GATE NAME DECAL- BLACK & GRAY
19	1	9513	DECAL SHEET-CABLE/G2 W/WEIGHT CAP. (NOT SHOWN)
20	1	95064	PLATFORM AND/OR TORSION SPRING (CABLE/G2) INSTR.

*DO NOT INCLUDE IN ACCOUNTING BOM



NOTES: APPLY DECALS FROM 9513 SHEET SAME AS PRODUCTION
SEND (2) 9540 LOOSE

REV.	DATE	CHANGE RECORD	BY	APPVD	ECN	DRAFT 2'	ANGULAR ±1'	SALES CATEGORY	PRODUCT LINE	SCALE N	FIN. WT.	PART NO. 1633
D.1	8/17/16	UPDATED TITLE BLOCK	AAS					FILENAME:	WOODBINE MFG. CO. BUS BROWN DRIVE WOODBINE, IOWA 51579  THE INFORMATION HERE IS CONFIDENTIAL AND MUST NOT BE USED IN ANYWAY DETRIMENTAL TO THE INTEREST OF WOODBINE MFG.			
D	3/20/14	ADDED (1) 9511, (1) 9513, & (1) 95064; UPDATED NOTES	JCB		1063			SYMBOLY PER ANSI Y14.5				
C	11/15/10	ADDED (2) 9540	JCB		367			NOTES:				
B	5/20/10	REPLACED KITS WITH INDIVIDUAL PARTS; ADDED (1) 8920	JCB		276			DRAWN BY: DJR				
								DRAWN/DATE: 8/23/04				
								APPVD/DATE	TITLE: 64/65 w/F11 EA REPLACMENT PLATFORM			