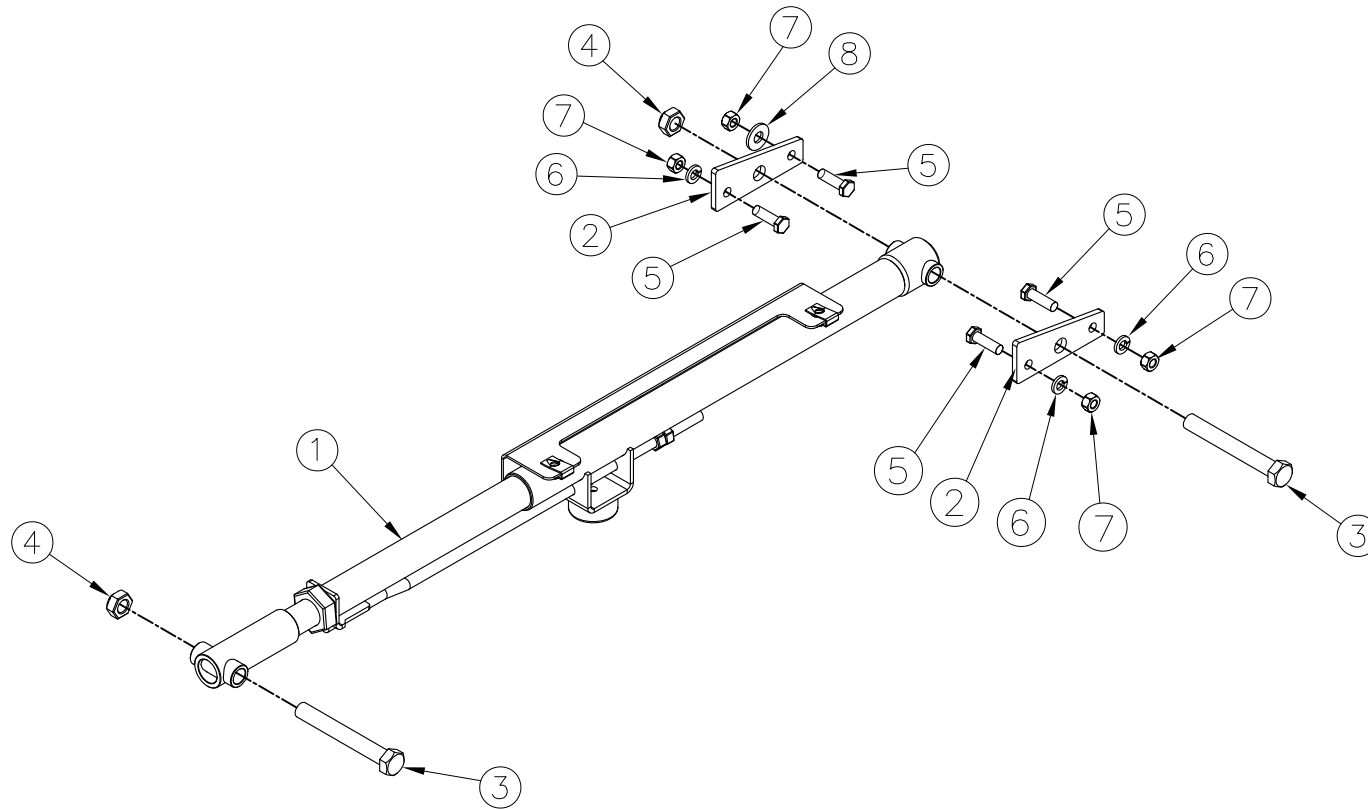


| ITEM NO. | QTY. | PART NO. | DESCRIPTION |
|----------|------|----------|--|
| 1 | 1 | 010472 | CANTILEVER PLATFORM SUPPORT ARM (DRIVER) |
| 2 | 2 | 010027 | PLATFORM PLATE |
| 3 | 2 | 010494 | 1/2"-13 X 3-3/4" HHCS GR 8, PLATED |
| 4 | 2 | 000588 | 1/2"-13 CROWN LOCK NUT |
| 5 | 4 | 010502 | 5/16"-18 X 1" HHCS, GR 5, ZP |
| 6 | 3 | 000584 | 5/16" SPRING LOCK WASHER, ZP |
| 7 | 4 | 000554 | 5/16"-18 HEX NUT, ZP |
| 8 | 1 | 000574 | 5/16"-18 USS FLAT WASHER |



| | | | | | | | | | | | |
|------|--------|------------------------|-----|-------|-----|-------------------------------------|------------------------|--|-----------|----------|----------------|
| | | | | | | THIRD ANGLE PROJECTION | FILENAME: | WOODBINE MFG. CO. BUS BROWN DRIVE WOODBINE, IOWA 51579 | | | |
| | | | | | | | SYMBOLY PER ANSI Y14.5 | NOTES: | | | |
| | | | | | | DECIMAL 2PLC 3PLC | DRAWN BY. JCB | 712-647-2050 | | | |
| | | | | | | MACHINE SAW, DRILL .030 .015 | DRAWN/DATE 7/5/11 | | | | |
| | | | | | | SHEAR, PUNCH FORM .060 .030 | APPVD/DATE | | | | |
| | | | | | | TORCH, WELDING ROUGH CAST .090 .060 | TITLE | | | | |
| A | 7/5/11 | RELEASED TO PRODUCTION | JCB | | 450 | | SALES CATEGORY | REPL. CANTILEVER PLATFORM SUPPORT ARM (DRIVER) | | | |
| REV. | DATE | CHANGE RECORD | BY | APPVD | ECN | DRAFT 2' | ANGULAR ±1' | PRODUCT LINE | SCALE 1:6 | FIN. WT. | PART NO. 11260 |

THE INFORMATION HERE IS CONFIDENTIAL AND MUST NOT BE USED IN ANYWAY DETRIMENTAL TO THE INTEREST OF WOODBINE MFG.