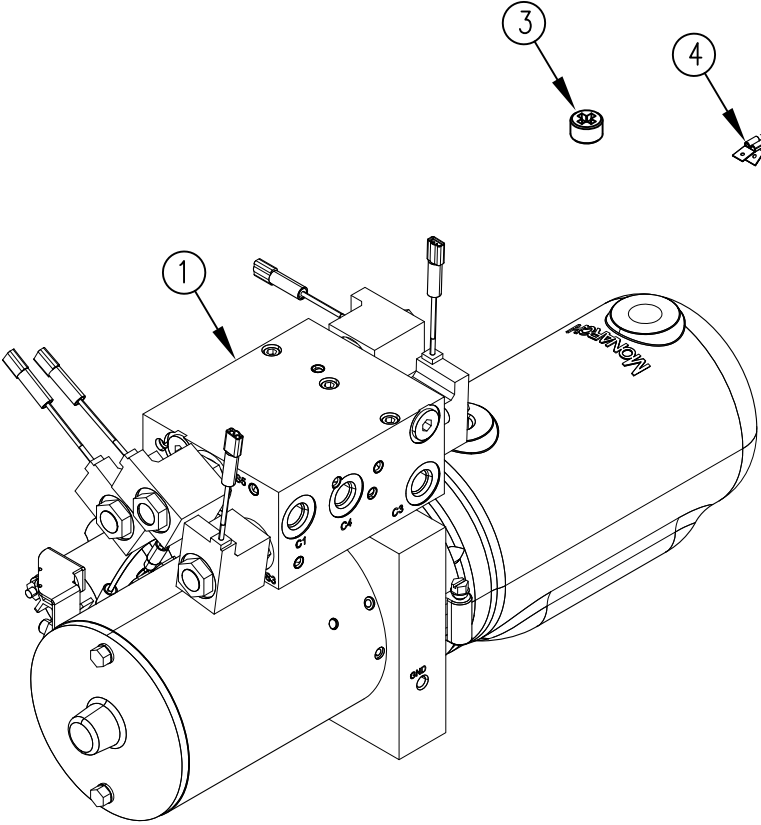



ITEM NO.	QTY.	PART NO.	DESCRIPTION
1	1	013860	MONARCH UNIT3552-0119 (CANTILEVER)TRANSIT
2	0.475 GAL	009034	HYDRAULIC OIL
3	1	004403*	VENT PLUG
4	1	015386	.25" THREE WAY TERMINAL SPLITTER.
5	1	095113	CANTILEVER POWER UNIT REPLACEMENT INSTR.

*ACCOUNTING-DO NOT USE FOR B.O.M.



REV.	DATE	CHANGE RECORD	BY	APPVD	ECN	THIRD ANGLE PROJECTION	FILENAME:	SYMBOLY PER ANSI Y14.5	NOTES:	WOODBINE MFG. CO. BUS BROWN DRIVE WOODBINE, IOWA 51579		
B	3/28/18	ADDED 015386	CDM		2019	DECIMAL MACHINE SAW,DRILL		DRAWN BY. JCB		 THE INFORMATION HERE IS CONFIDENTIAL AND MUST NOT BE USED IN ANYWAY DETRIMENTAL TO THE INTEREST OF WOODBINE MFG.		
A	8/25/14	RELEASED TO PRODUCTION	JCB		1188	SHEAR, PUNCH FORM		DRAWN/DATE 8/25/14				
						TORCH, WELDING ROUGH CAST		APPVD/DATE	TITLE REPL. 1330 CANTILEVER P&M (2750PSI) 3552-0119			
						DRAFT 2"	ANGULAR ±1"	SALES CATEGORY	PRODUCT LINE		SCALE 1:4	FIN. WT.