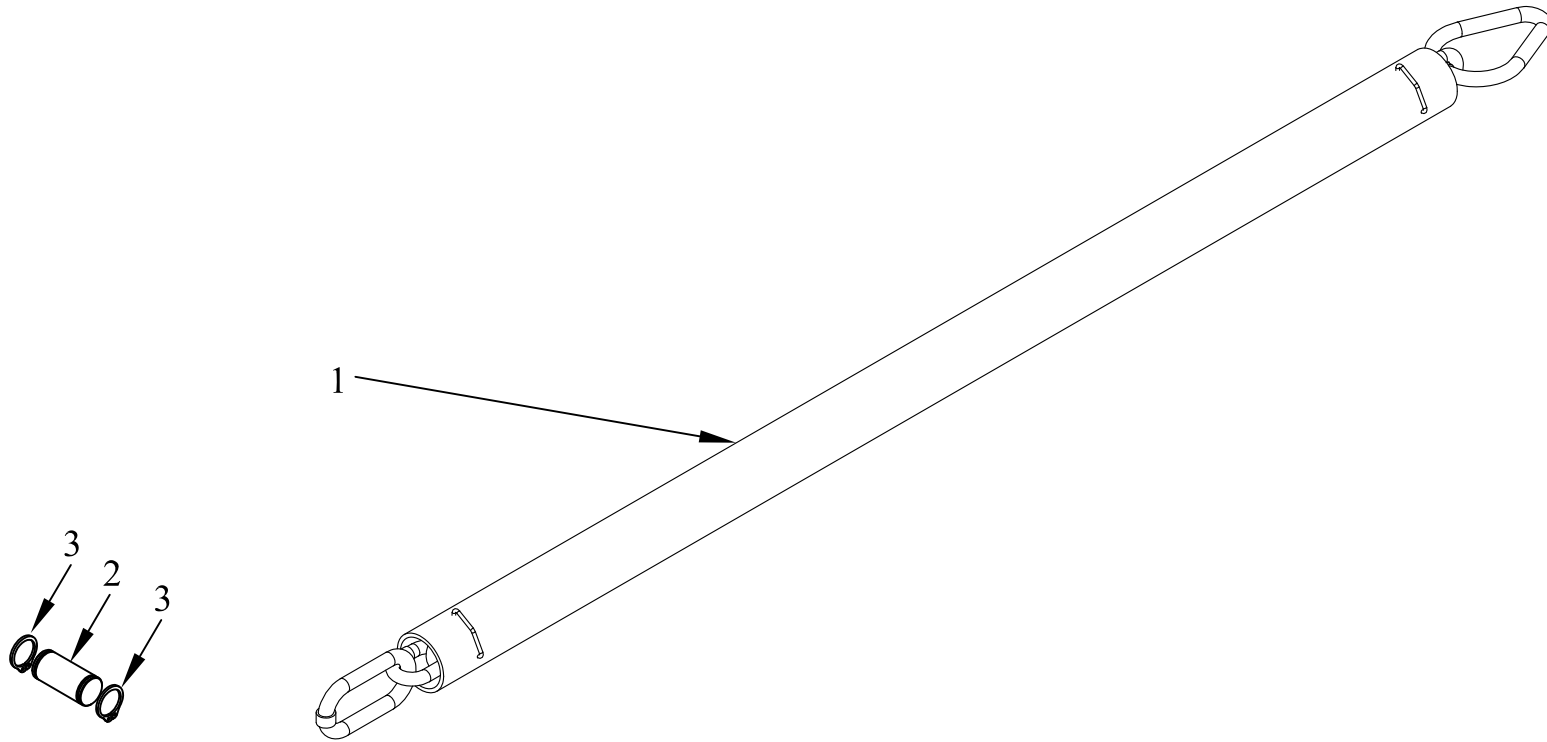


ITEM NO.	QTY.	PART NO.	DESCRIPTION
1	1	2628	34" TRAVEL EA CHAIN W/ CLOTH CHAIN COVER
2	1	7637	1/2"X1.08"EA PLATED CHAIN PIN (34-40)
3	2	614	1/2" EXTERNAL RETAINING RING-PLATED



						THIRD ANGLE PROJECTION	FILENAME: E:\KITS(Repair Parts)\Cablegate\003846.dwg	WOODBINE MFG. CO. BUS BROWN DRIVE WOODBINE, IOWA 51579
							SYMBOLY PER ANSI Y14.5	NOTES:
						DECIMAL	2PLC	3PLC
						MACHINE SAW,DRILL	.030	.015
						SHEAR, PUNCH FORM	.060	.030
						TORCH, WELDING ROUGH CAST	.090	.060
						DRAFT 2°	ANGULAR ±1°	SALES CATEGORY 45
								PRODUCT LINE 1801
								SCALE N
								FIN. WT.
								PART NO. 3846
C	9/29/09	CHANGED TO REFLECT PRODUCTION			LSB	LSB	206	
REV.	DATE	CHANGE RECORD			BY	APPVD	ECN	

712-647-2050

THE ORIGINAL  
TOMMY GATE  
hydraulic lift

THE INFORMATION HERE IS CONFIDENTIAL  
AND MUST NOT BE USED IN ANYWAY  
DETRIMENTAL TO THE INTEREST OF  
WOODBINE MFG.

TITLE  
1034 EA REPLACEMENT PLATFORM CHAIN