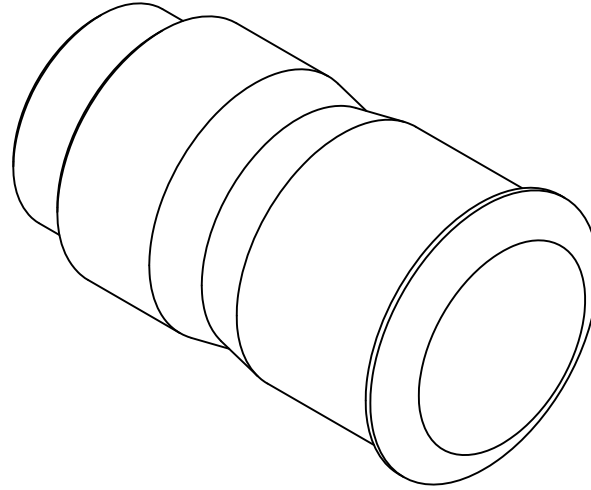


ITEM NO.	QTY.	PART NO.	DESCRIPTION
1	1	7542	3/4"DIA.x1-1/2" ARM PIN



NOTE: AFTER SERIAL #M-83393

				THIRD ANGLE PROJECTION		FILENAME:		WOODBINE MFG. CO. BUS BROWN DRIVE WOODBINE, IOWA 51579			
						SYMBOLY PER ANSI Y14.5		NOTES:			
				DECIMAL	2PLC	3PLC	DRAWN BY.	712-647-2050			
				MACHINE SAW, DRILL	.030	.015	DJR	THE INFORMATION HERE IS CONFIDENTIAL AND MUST NOT BE USED IN ANYWAY DETRIMENTAL TO THE INTEREST OF WOODBINE MFG.			
				SHEAR, PUNCH FORM	.060	.030	DRAWN/DATE 6/16/04				
				TORCH, WELDING ROUGH CAST	.090	.060	APPVD/DATE 3/27/06	TITLE REPLACEMENT 3/4" X 1-1/2" ARM PIN			
A	3/27/06	DRAWN IN AUTOCAD		DJR	KGJ	SALES CATEGORY 45		PRODUCT LINE 8950	SCALE N	FIN. WT. 0.6	PART NO. 951
REV.	DATE	CHANGE RECORD		BY	APPVD	ECN					