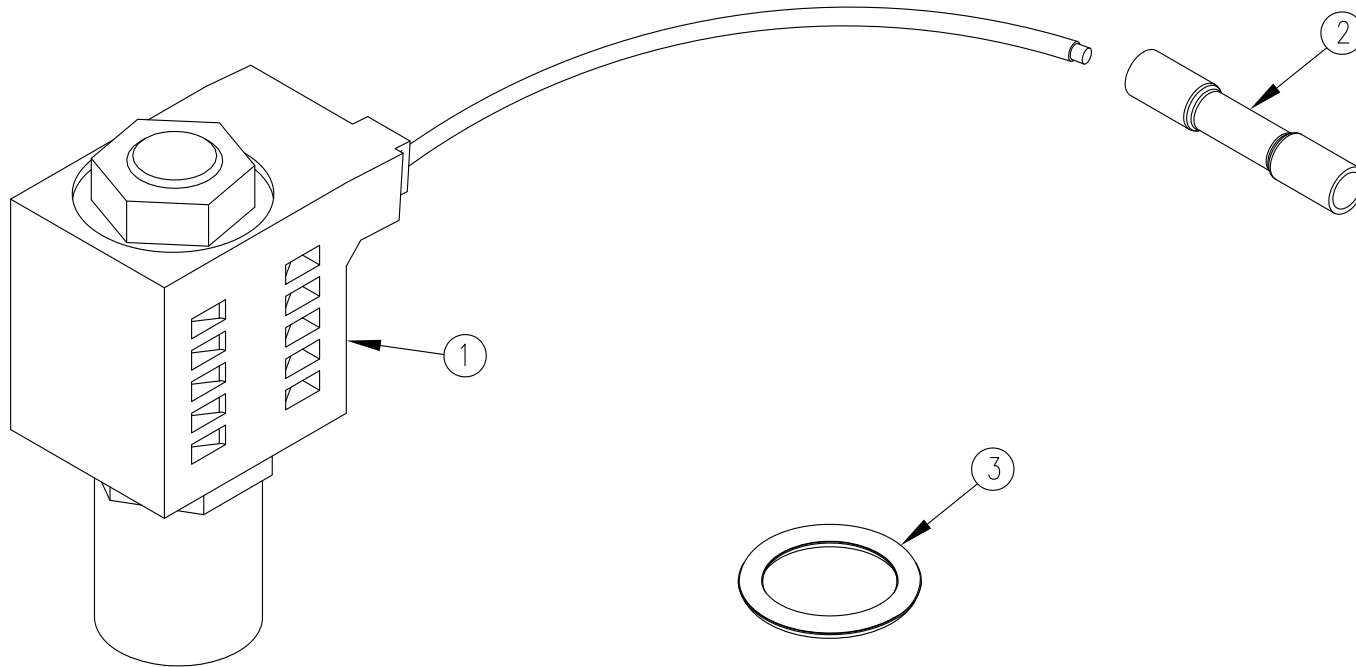


ITEM NO.	QTY.	PART NO.	DESCRIPTION
1	1	009691	MONARCH RELEASE SOLENOID EXTERNAL ASSEMBLY
2	1	009089	16-14 HEAT SHRINK BUTT CONNECTOR
3	1	009689	MONARCH EXT. RELEASE SOLENOID O-RING
4	1	095067	LEE CHECK AND MONARCH DOWN VALVE REPLACE INSTR.



REV.	DATE	CHANGE RECORD	BY	APPVD	ECN	THIRD ANGLE PROJECTION	FILENAME:	SYMBOLY PER ANSI Y14.5	NOTES:	WOODBINE MFG. CO. BUS BROWN DRIVE WOODBINE, IOWA 51579 712-647-2050	
C	4/9/15	REMOVED ACCOUNTING NOTE	JCB		1365	DECIMAL MACHINE SAW, DRILL				<p>THE INFORMATION HERE IS CONFIDENTIAL AND MUST NOT BE USED IN ANYWAY DETRIMENTAL TO THE INTEREST OF WOODBINE MFG.</p>	
B	11/24/10	ADDED (1) 9689 AND (1) 95067	JCB		372	SHEAR, PUNCH FORM					
A	8/7/06	DRAWN IN AUTOCAD	JCB	KGJ		TORCH, WELDING ROUGH CAST					
						DRAFT 2°					
						ANGULAR ±1°	SALES CATEGORY	PRODUCT LINE	SCALE 1:1	FIN. WT.	PART NO. 9645