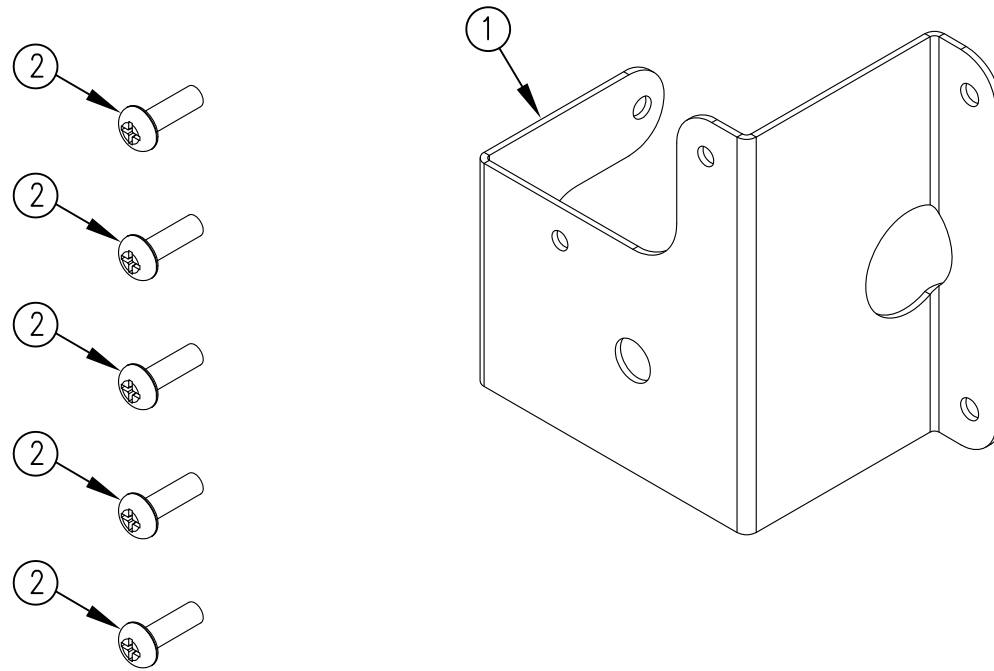
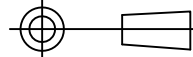


ITEM NO.	QTY.	PART NO.	DESCRIPTION
1	1	010507	CONTROL MOUNTING PLATE (CHEVROLET)
2	5	000747	1/4-20x3/4" PN HD TY FS



THIRD ANGLE PROJECTION



FILENAME:

SYMBOLOLOGY PER ANSI Y14.5

NOTES:

WOODBINE MFG. CO.  
 BUS BROWN DRIVE  
 WOODBINE, IOWA 51579

DECIMAL	2PLC	3PLC
MACHINE SAW, DRILL	.030	.015
SHEAR, PUNCH, FORM	.060	.030
TORCH, WELDING, ROUGH CAST	.090	.060
DRAFT 2°	ANGULAR ±1°	

DRAWN BY:

JCB

DRAWN/DATE

8/1/11

APPVD/DATE

712-647-2050



THE INFORMATION HERE IS CONFIDENTIAL AND MUST NOT BE USED IN ANYWAY DETRIMENTAL TO THE INTEREST OF WOODBINE MFG.

TITLE

REPL. CANTILEVER PENDANT MTG BRACKET (CHEVROLET)

SALES CATEGORY

PRODUCT LINE

SCALE

1:2

FIN. WT.

PART NO.

11448

REV.	DATE	CHANGE RECORD	BY	APPVD	ECN
A	8/1/11	RELEASED TO PRODUCTION	JCB		450