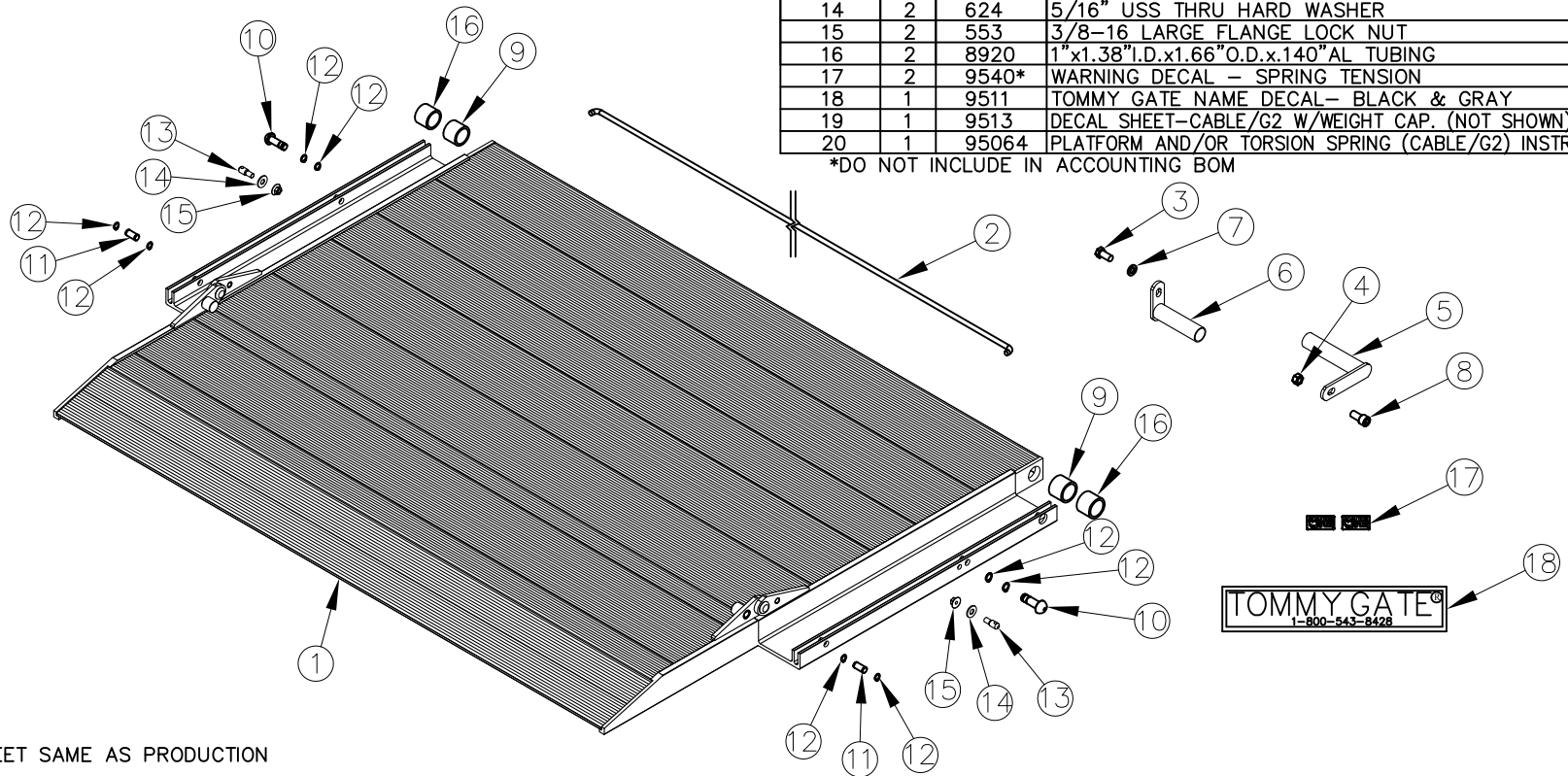


ITEM NO.	QTY.	PART NO.	DESCRIPTION
1	1	3418	60 W/F11 ECOLAB EA PLAT. COMPLETE
2	1	7869	0.375 X 59.688 SPRING (60 EA)
3	1	587	1/2-13x1" HHCS GR5
4	1	588	1/2-13 CROWN LOCK NUT
5	1	7710	HINGE TUBE SPRING HOLDER-46EA PASS
6	1	7778	HINGE TUBE SPRING HOLDER-EA DRIVER
7	1	573	1/2" SPRING LOCKWASHER
8	1	604	1/2-13x1"USS SOC HD CAP STAINLESS
9	2	8919	9/16"x1.38" I.D.x1.66"O.D.x.140"AL TUBING
10	2	7715	0.5"DIA X 1.5" SS EA PLAT LATCH PIN (34-40)
11	2	7637	0.5"DIA X 1.079" EA PLAT CHAIN PIN (34-40)
12	8	614	1/2"EXTERNAL SNAP RING
13	2	4714	PLATFORM LATCH PIN (G2)
14	2	624	5/16" USS THRU HARD WASHER
15	2	553	3/8-16 LARGE FLANGE LOCK NUT
16	2	8920	1"x1.38" I.D.x1.66"O.D.x.140"AL TUBING
17	2	9540*	WARNING DECAL - SPRING TENSION
18	1	9511	TOMMY GATE NAME DECAL- BLACK & GRAY
19	1	9513	DECAL SHEET-CABLE/G2 W/WEIGHT CAP. (NOT SHOWN)
20	1	95064	PLATFORM AND/OR TORSION SPRING (CABLE/G2) INSTR.

*DO NOT INCLUDE IN ACCOUNTING BOM



TOMMY GATE
1-800-543-8428

NOTES: APPLY DECALS FROM 9513 SHEET SAME AS PRODUCTION
SEND (2) 9540 LOOSE

REV.	DATE	CHANGE RECORD	BY	APPVD	ECN	DRAFT	ANGULAR	SALES CATEGORY	PRODUCT LINE	SCALE	FIN. WT.	PART NO.
D.2	8/17/16	UPDATED TITLE BLOCK	AAS			2'	±1°	FILENAME:				
D.1	3/25/14	UPDATED 7869 BOM DESCRIPTION	JCB					SYMBOLY PER ANSI Y14.5				
D	3/20/14	ADDED (1) 9513, (1) 8920, (1) 9511, (1) 95064; UPDATED NOTES	JCB		1063			DRAWN BY. DJR				
C	11/15/10	ADDED (2) 9540	JCB		367			DRAWN/DATE 12/17/04				
B	7/13/10	REPLACED KITS WITH INDIVIDUAL PARTS	JCB		276			APPVD/DATE	TITLE			
									60 37+11+6 EA REPLACEMENT PLATFORM			
										1:15		4799

WOODBINE MFG. CO.
BUS BROWN DRIVE
WOODBINE, IOWA 51579



THE INFORMATION HERE IS CONFIDENTIAL AND MUST NOT BE USED IN ANYWAY DETRIMENTAL TO THE INTEREST OF WOODBINE MFG.