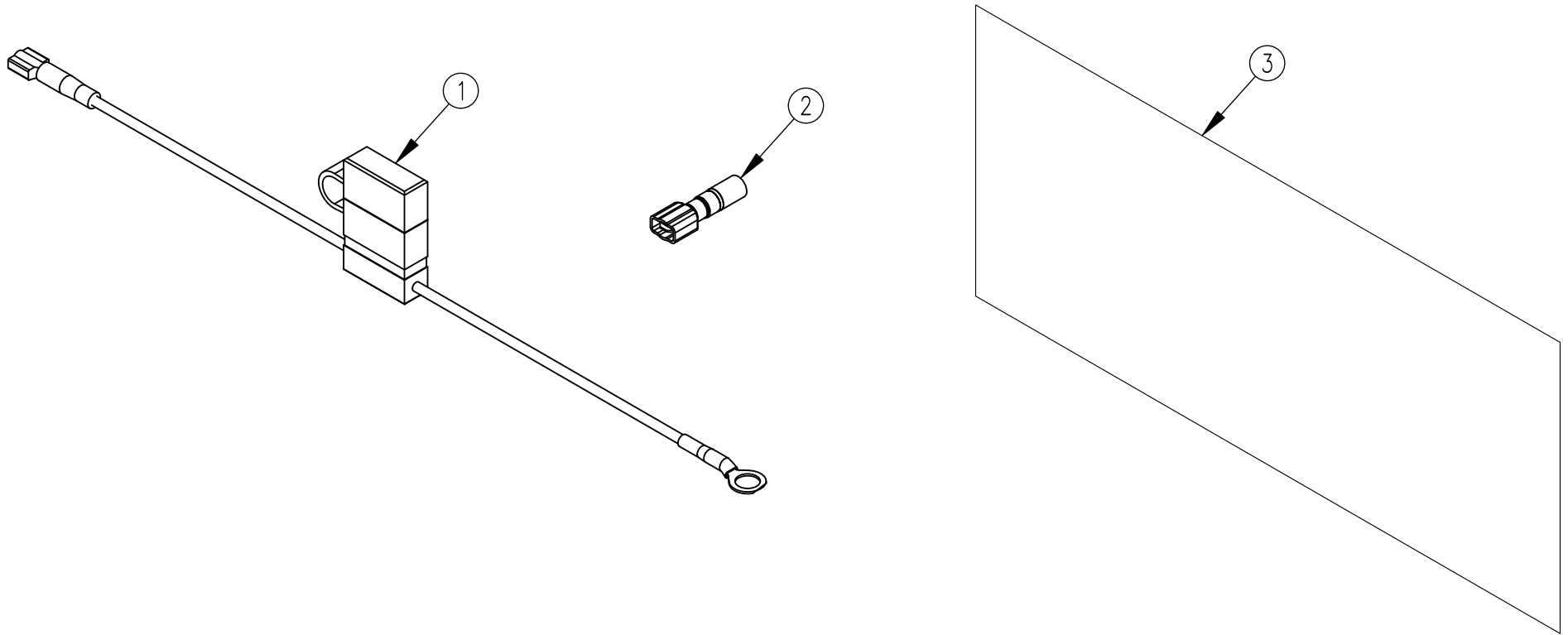


ITEM NO.	QTY.	PART NO.	DESCRIPTION
1	1	010510	16GA. RED 20AMP FUSE HOLDER ASSEMBLY
2	1	018011	22-18 AWG, 0.250 TAB, QUICK DISCONNECT, FULLY INSULATED, HEAT SHRINK, MALE TERMINAL
3	1	095363	CONTROL FUSE RETROFIT INSTRUCTIONS



						THIRD ANGLE PROJECTION	DRAWN BY GDB	NOTES:	WOODBINE MFG. CO. BUS BROWN DRIVE WOODBINE, IOWA 51579	
						UNLESS OTHERWISE SPECIFIED	DRAWN/DATE 5/17/19			TITLE
						DIMENSIONS ARE IN INCHES TOLERANCES: FRACTIONAL ±1/16 ANGULAR MACH ±1° BEND ±1° TWO PLACE DECIMAL ±0.030 THREE PLACE DECIMAL ±0.010	APPVD/DATE —			
B	3/21/23	UPDATED GRAPHIC & BOM DESCRIPTION, TITLE CHANGE, ADDED 018011 & 095363	MK	2844			DO NOT SCALE DRAWING			
A	5/17/19	RELEASED TO PRODUCTION	GDB	2221						
REV.	DATE	CHANGE RECORD	BY	APPVD	ECN	THE INFORMATION HERE IS CONFIDENTIAL AND MUST NOT BE USED IN ANY WAY DETRIMENTAL TO THE INTEREST OF WOODBINE MFG.	SCALE 1:2	WEIGHT —	PART NO. 16119	