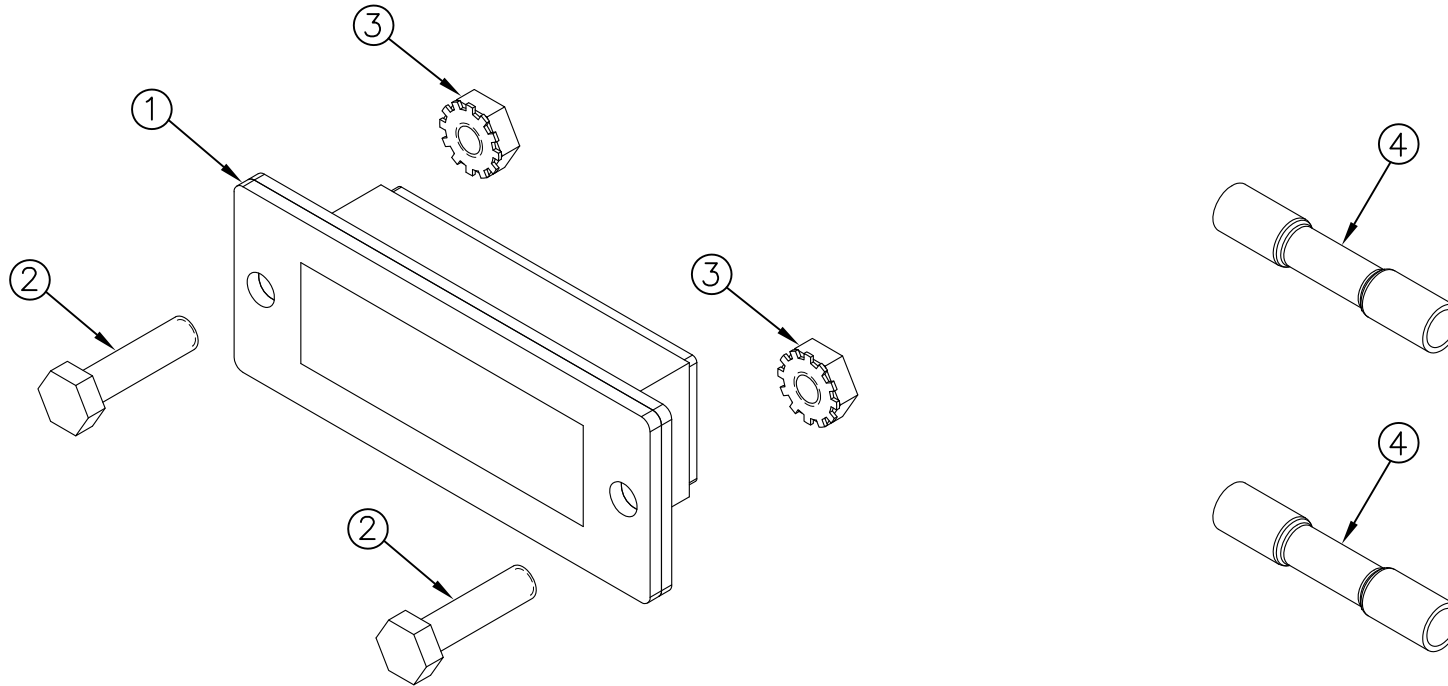


ITEM NO.	QTY.	PART NO.	DESCRIPTION
1	1	003050	LICENSE PLATE LIGHT (H1)
2	2	001485	10-32 X 3/4" HEX HEAD BOLT
3	2	000556	10-32 KEPS NUT
4	2	009089	16-14 HEAT SHRINK BUTT CONNECTOR



						THIRD ANGLE PROJECTION	FILENAME: E:\KITS(Mounting Parts)\Railgate\010199.dwg	WOODBINE MFG. CO. BUS BROWN DRIVE WOODBINE, IOWA 51579
							SYMBOLY PER ANSI Y14.5	NOTES:
						DECIMAL	2PLC	3PLC
						MACHINE SAW,DRILL	.030	.015
						SHEAR, PUNCH FORM	.060	.030
						TORCH, WELDING ROUGH CAST	.090	.060
A	9/24/09		DRAWN IN AUTOCAD	MTC	MTC	198	DRAWN BY. MTC	
							DRAWN/DATE 9/24/09	
							APPVD/DATE 9/24/09	TITLE REPLACEMENT LICENSE PLATE LIGHT & BRACKET-H1
REV.	DATE		CHANGE RECORD	BY	APPVD	ECN	SALES CATEGORY 45	PRODUCT LINE 2510
							DRAFT 2'	SCALE N
							ANGULAR ±1°	FIN. WT. 0.149
								PART NO. 10199

712-647-2050

THE INFORMATION HERE IS CONFIDENTIAL AND MUST NOT BE USED IN ANYWAY DETRIMENTAL TO THE INTEREST OF WOODBINE MFG.