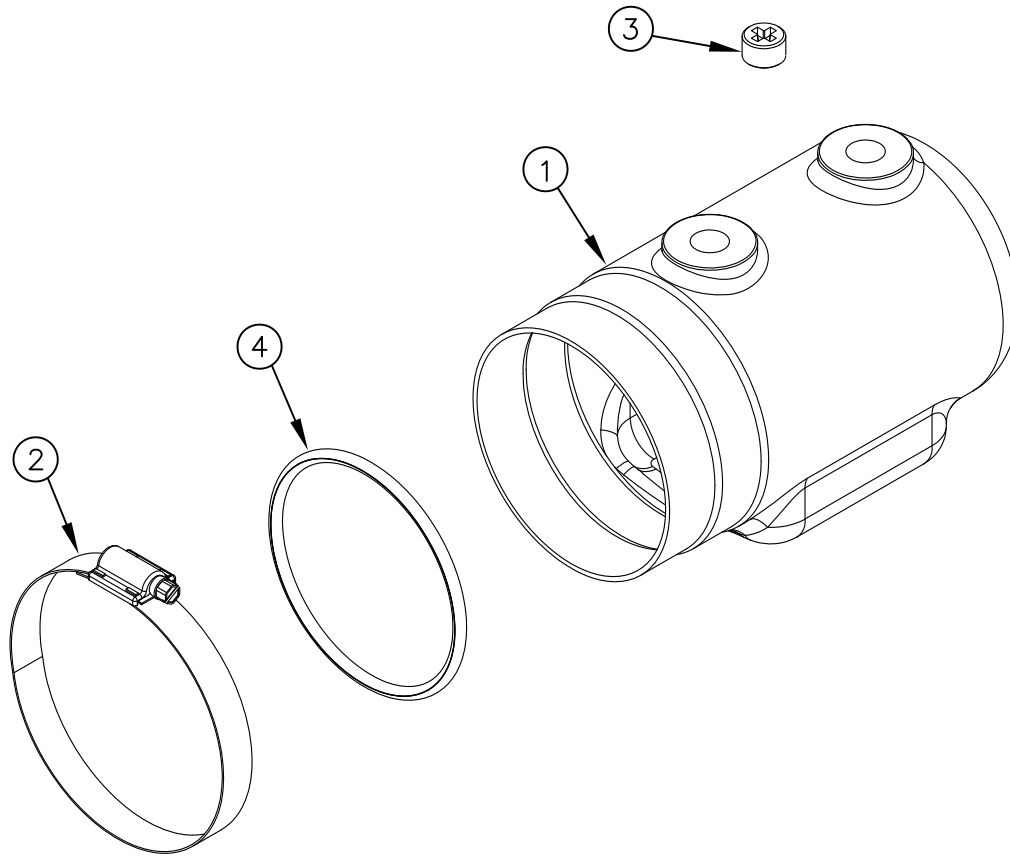


ITEM NO.	QTY.	PART NO.	DESCRIPTION
1	1	4304	MONARCH PLASTIC TANK (1-1/2QT) G2
2	1	4350	MONARCH CLAMP, HOSE, WORM GEAR, RS
3	1	4403	VENT PLUG
4	1	4319	MONARCH 4-1/4" TANK O-RING



REV.	DATE	CHANGE RECORD	BY	APPVD	ECN	THIRD ANGLE PROJECTION	FILENAME:	NOTES:												
							KITS(Repair Parts)\G2\000957.dwg	WOODBINE MFG. CO. BUS BROWN DRIVE WOODBINE, IOWA 51579												
						<table border="1"> <tr> <th>DECIMAL</th> <th>2PLC</th> <th>3PLC</th> </tr> <tr> <td>MACHINE SAW, DRILL</td> <td>.030</td> <td>.015</td> </tr> <tr> <td>SHEAR, PUNCH FORM</td> <td>.060</td> <td>.030</td> </tr> <tr> <td>TORCH, WELDING ROUGH CAST</td> <td>.090</td> <td>.060</td> </tr> </table>	DECIMAL	2PLC	3PLC	MACHINE SAW, DRILL	.030	.015	SHEAR, PUNCH FORM	.060	.030	TORCH, WELDING ROUGH CAST	.090	.060	SYMBOLY PER ANSI Y14.5	
DECIMAL	2PLC	3PLC																		
MACHINE SAW, DRILL	.030	.015																		
SHEAR, PUNCH FORM	.060	.030																		
TORCH, WELDING ROUGH CAST	.090	.060																		
C	4/11/16	REMOVED 9472	AAS		1614	DRAWN BY. JCB	<small>THE INFORMATION HERE IS CONFIDENTIAL AND MUST NOT BE USED IN ANYWAY DETRIMENTAL TO THE INTEREST OF WOODBINE MFG.</small>													
B	8/29/08	ADDED PN9472 AND REMOVED ACCOUNTING NOTE	MTC	MTC	67	DRAWN/DATE 7/21/06														
A	7/21/06	DRAWN IN AUTOCAD	JCB	KGJ		APPVD/DATE 8/29/08			TITLE											
						SALES CATEGORY 45			PRODUCT LINE 8950	SCALE 1:3	FIN. WT. 0.75	PART NO. 957								