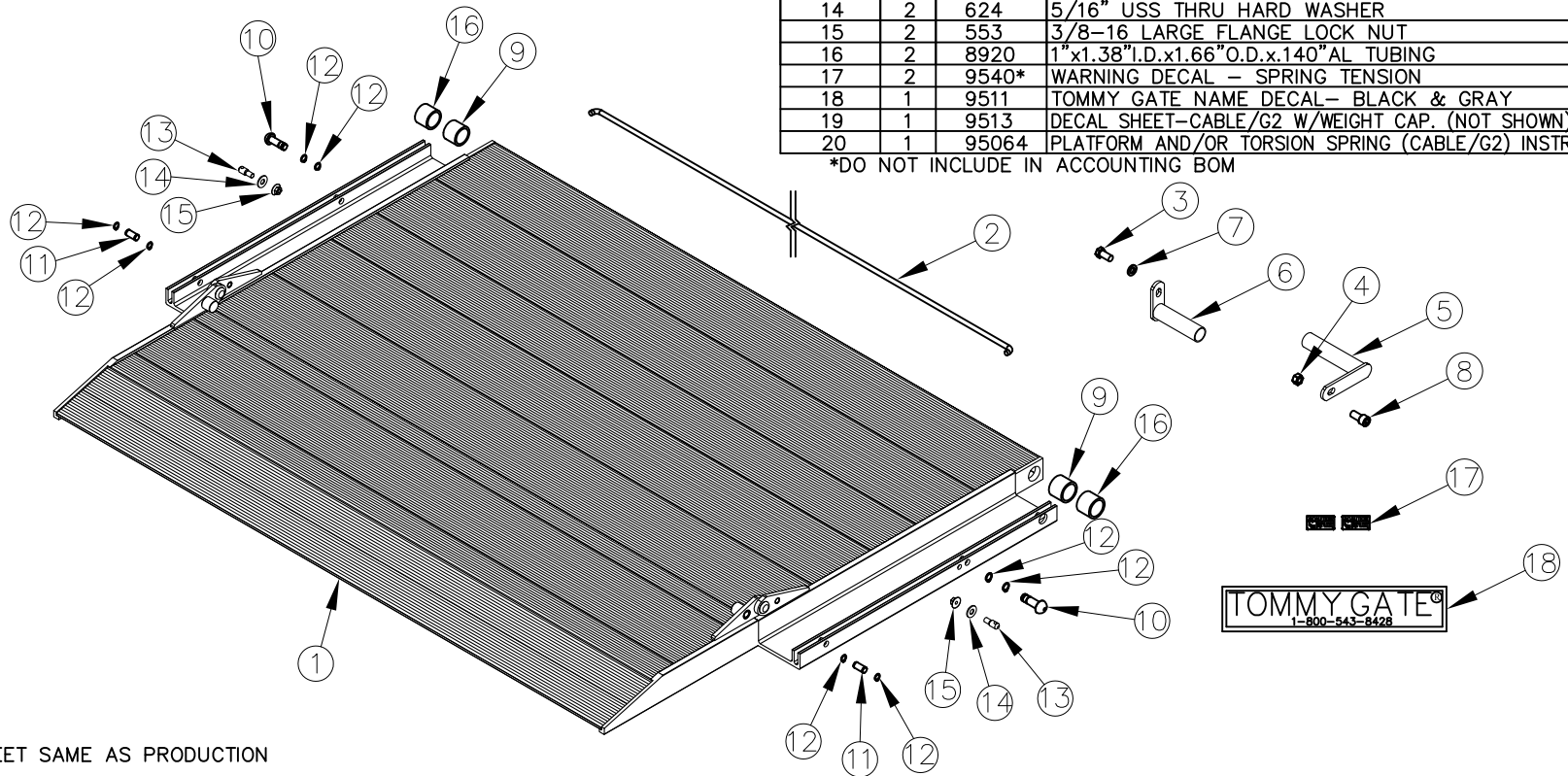


ITEM NO.	QTY.	PART NO.	DESCRIPTION
1	1	3417	54 w/F11 ECOLAB EA PLAT. COMPLETE
2	1	7868	0.375 X 53.688 SPRING (54 EA)
3	1	587	1/2-13x1" HHCS GR5
4	1	588	1/2-13 CROWN LOCK NUT
5	1	7710	HINGE TUBE SPRING HOLDER-46EA PASS
6	1	7778	HINGE TUBE SPRING HOLDER-EA DRIVER
7	1	573	1/2" SPRING LOCKWASHER
8	1	604	1/2-13x1"USS SOC HD CAP STAINLESS
9	2	8919	9/16"x1.38" I.D.x1.66"O.D.x.140"AL TUBING
10	2	7715	0.5"DIA X 1.5" SS EA PLAT LATCH PIN (34-40)
11	2	7637	0.5"DIA X 1.079" EA PLAT CHAIN PIN (34-40)
12	8	614	1/2"EXTERNAL SNAP RING
13	2	4714	PLATFORM LATCH PIN (G2)
14	2	624	5/16" USS THRU HARD WASHER
15	2	553	3/8-16 LARGE FLANGE LOCK NUT
16	2	8920	1"x1.38" I.D.x1.66"O.D.x.140"AL TUBING
17	2	9540*	WARNING DECAL - SPRING TENSION
18	1	9511	TOMMY GATE NAME DECAL- BLACK & GRAY
19	1	9513	DECAL SHEET-CABLE/G2 W/WEIGHT CAP. (NOT SHOWN)
20	1	95064	PLATFORM AND/OR TORSION SPRING (CABLE/G2) INSTR.

*DO NOT INCLUDE IN ACCOUNTING BOM



TOMMY GATE
1-800-543-8428

NOTES: APPLY DECALS FROM 9513 SHEET SAME AS PRODUCTION
SEND (2) 9540 LOOSE

REV.	DATE	CHANGE RECORD	BY	APPVD	ECN	DRAFT 2"	ANGULAR ±1"	SALES CATEGORY	PRODUCT LINE	SCALE 1:15	FIN. WT.	PART NO. 4820				
D.1	8/17/16	UPDATED TITLE BLOCK	AAS			THIRD ANGLE PROJECTION 		FILENAME:	WOODBINE MFG. CO. BUS BROWN DRIVE WOODBINE, IOWA 51579 <small>THE INFORMATION HERE IS CONFIDENTIAL AND MUST NOT BE USED IN ANYWAY DETRIMENTAL TO THE INTEREST OF WOODBINE MFG.</small>							
D	3/20/14	ADDED (1) 9513, (1) 8920, (1) 9511, (1) 95064; UPDATED NOTES	JCB		1063	DECIMAL	2PLC	3PLC					SYMBOLY PER ANSI Y14.5	NOTES:		
C	11/15/10	ADDED (2) 9540	JCB		367	MACHINE SAW, DRILL	.030	.015					DRAWN BY. DJR			
B	7/16/10	REPLACED KITS WITH INDIVIDUAL PARTS	JCB		276	SHEAR, PUNCH FORM	.060	.030					DRAWN/DATE 12/17/04			
A	8/7/06	DRAWN IN AUTOCAD	JCB	KGJ		TORCH, WELDING ROUGH CAST	.090	.060					APPVD/DATE	TITLE 54 37+11+6 EA REPLACEMENT PLATFORM		