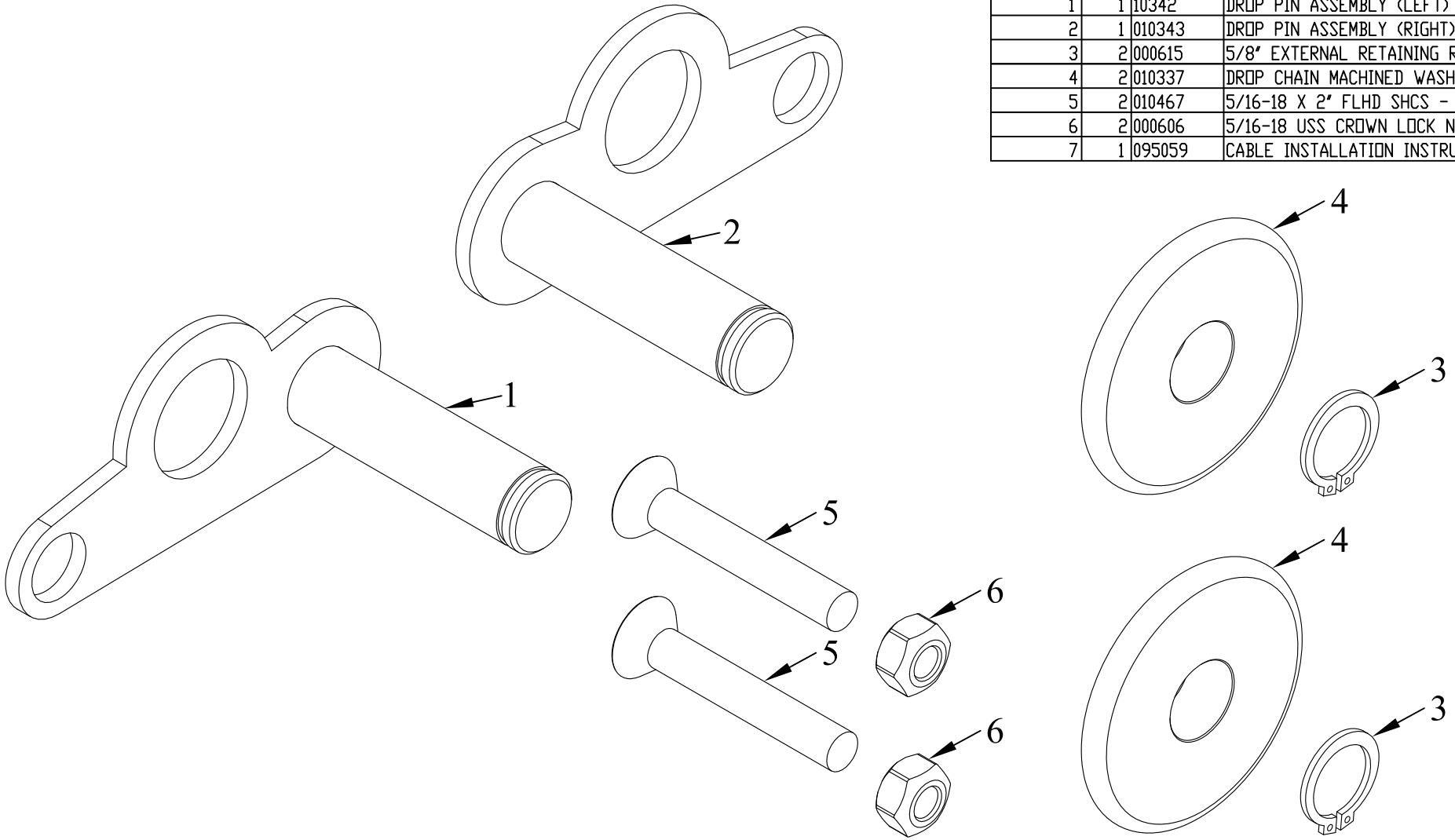


ITEM NO.	QTY.	PART NO.	DESCRIPTION
1	1	10342	DROP PIN ASSEMBLY (LEFT) MINI
2	1	010343	DROP PIN ASSEMBLY (RIGHT) MINI
3	2	000615	5/8" EXTERNAL RETAINING RING-PLATED
4	2	010337	DROP CHAIN MACHINED WASHER
5	2	010467	5/16-18 X 2" FLHD SHCS - ZINC
6	2	000606	5/16-18 USS CROWN LOCK NUT
7	1	095059	CABLE INSTALLATION INSTRUCTIONS (MINI)



				THIRD ANGLE PROJECTION			FILENAME:		WOODBINE MFG. CO. BUS BROWN DRIVE WOODBINE, IOWA 51579															
							SYMBOLY PER ANSI Y14.5		NOTES:															
				<table border="1"> <tr> <td>DECIMAL</td> <td>2PLC</td> <td>3PLC</td> </tr> <tr> <td>MACHINE SAW, DRILL</td> <td>.030</td> <td>.015</td> </tr> <tr> <td>SHEAR, PUNCH FORM</td> <td>.060</td> <td>.030</td> </tr> <tr> <td>TORCH, WELDING ROUGH CAST</td> <td>.090</td> <td>.060</td> </tr> </table>			DECIMAL	2PLC			3PLC	MACHINE SAW, DRILL	.030	.015	SHEAR, PUNCH FORM	.060	.030	TORCH, WELDING ROUGH CAST	.090	.060	DRAWN BY: MTC		712-647-2050	
DECIMAL	2PLC	3PLC																						
MACHINE SAW, DRILL	.030	.015																						
SHEAR, PUNCH FORM	.060	.030																						
TORCH, WELDING ROUGH CAST	.090	.060																						
							DRAWN/DATE 2/24/10		THE INFORMATION HERE IS CONFIDENTIAL AND MUST NOT BE USED IN ANYWAY DETRIMENTAL TO THE INTEREST OF WOODBINE MFG.															
A	2/24/10	DRAWN IN AUTOCAD		MTC		270			TITLE SET OF DROP CHAIN PIN ASSEMBLIES(MINI)															
REV.	DATE	CHANGE RECORD		BY	APPVD	ECN	DRAFT 2'	ANGULAR ±1'	SCALE N	PART NO. 10513														