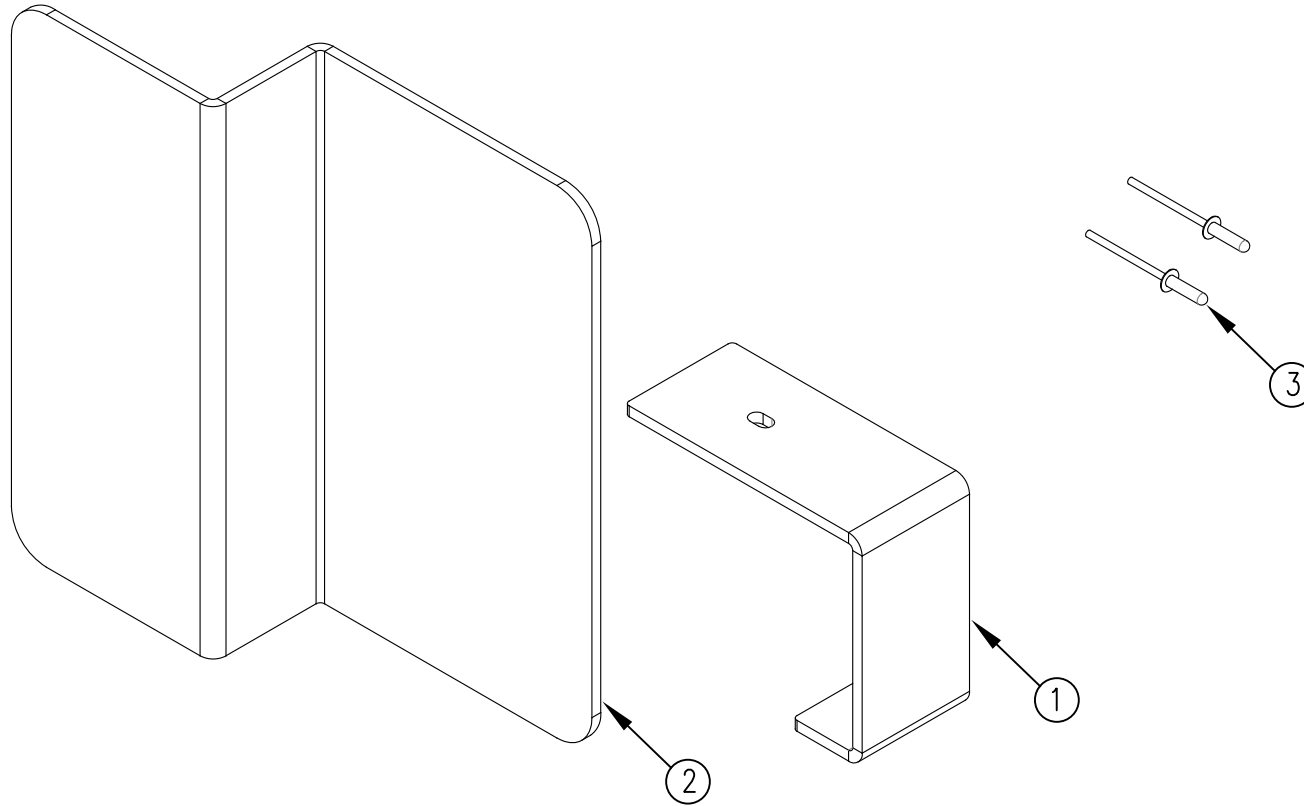


ITEM NO.	QTY.	PART NO.	DESCRIPTION
1	1	014139	CONTROL MOUNTING BRACKET
2	1	014140	CONTROL SHIELD
3	2	012756	1/8"x3/8" POP RIVET
4	1	095230	RAIL CONTROL MOUNTING BRACKET AND SHIELD INST.



REV.	DATE	CHANGE RECORD	BY	APPVD	ECN	THIRD ANGLE PROJECTION	FILENAME:	SYMBOLY PER ANSI Y14.5	NOTES:	WOODBINE MFG. CO. BUS BROWN DRIVE WOODBINE, IOWA 51579																				
B	11/7/17	UPDATED GRAPHIC	GDB		1945			<table border="1"> <tr> <td>DECIMAL</td> <td>2PLC</td> <td>3PLC</td> </tr> <tr> <td>MACHINE SAW, DRILL</td> <td>.030</td> <td>.015</td> </tr> <tr> <td>SHEAR, PUNCH FORM</td> <td>.060</td> <td>.030</td> </tr> <tr> <td>TORCH, WELDING ROUGH CAST</td> <td>.090</td> <td>.060</td> </tr> <tr> <td>DRAFT 2°</td> <td colspan="2">ANGULAR ±1°</td> </tr> </table>	DECIMAL	2PLC	3PLC	MACHINE SAW, DRILL	.030	.015	SHEAR, PUNCH FORM	.060	.030	TORCH, WELDING ROUGH CAST	.090	.060	DRAFT 2°	ANGULAR ±1°		<table border="1"> <tr> <td>DRAWN BY:</td> <td rowspan="4">GDB</td> </tr> <tr> <td>DRAWN/DATE</td> </tr> <tr> <td>APPVD/DATE</td> </tr> <tr> <td>TITLE</td> </tr> </table>	DRAWN BY:	GDB	DRAWN/DATE	APPVD/DATE	TITLE	
DECIMAL	2PLC	3PLC																												
MACHINE SAW, DRILL	.030	.015																												
SHEAR, PUNCH FORM	.060	.030																												
TORCH, WELDING ROUGH CAST	.090	.060																												
DRAFT 2°	ANGULAR ±1°																													
DRAWN BY:	GDB																													
DRAWN/DATE																														
APPVD/DATE																														
TITLE																														
A	6/16/17	RELEASED TO PRODUCTION	GDB		1893					THE INFORMATION HERE IS CONFIDENTIAL AND MUST NOT BE USED IN ANYWAY DETRIMENTAL TO THE INTEREST OF WOODBINE MFG.																				
CHANGE RECORD							SALES CATEGORY	PRODUCT LINE	SCALE	FIN. WT.	PART NO. 15179																			