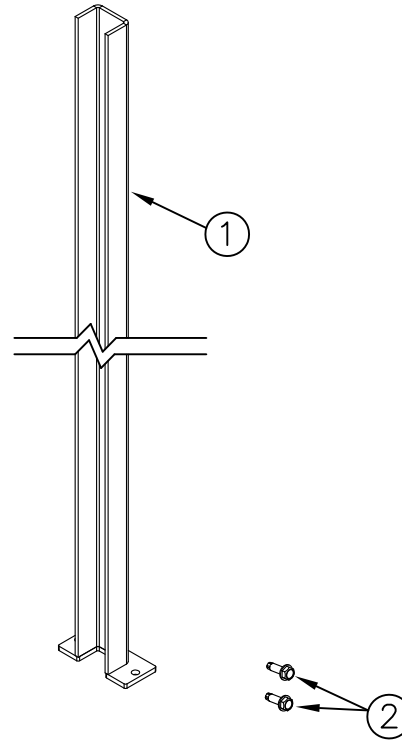


ITEM NO.	QTY.	PART NO.	DESCRIPTION
1	1	011913	ALUM ROLLER CHAIN COVER(TX)
2	2	013980	1/4-20x3/4" SS TY F HEX HD



REV.	DATE	CHANGE RECORD	BY	APPVD	ECN	THIRD ANGLE PROJECTION	FILENAME:	SYMBOLY PER ANSI Y14.5	NOTES:	WOODBINE MFG. CO. BUS BROWN DRIVE WOODBINE, IOWA 51579
B	7/14/15	REPLACED 747 W/13980	AAS		1439			MACHINE SAW, DRILL		712-647-2050
A	2/20/14	RELEASED TO PRODUCTION	GDB		1044			SHEAR, PUNCH FORM		
								TORCH, WELDING ROUGH CAST		<small>THE INFORMATION HERE IS CONFIDENTIAL AND MUST NOT BE USED IN ANYWAY DETRIMENTAL TO THE INTEREST OF WOODBINE MFG.</small>
								DRAFT 2°		
								ANGULAR ±1°		
								SALES CATEGORY		
								PRODUCT LINE		
								SCALE	1:6	
								FIN. WT.		
								PART NO.	013563	